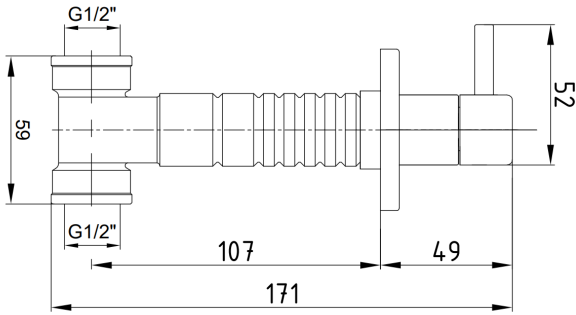


E.C.A. CONCEALED STOP VALVE



Product Description

Product Number	102151017EX
Product Name	Concealed Stop Valve
EAN Barcode	8693261058341

Technical Specification

Cartridge Type	Closed System Headwork Group
Adjustable Length	Cutable Plastic Mechanism Until 7 cm Length Range
Min. Water Pressure	0,5 bar
Max. Water Pressure	10 bars
Recommended Water Pressure	3 bars
Inlet Water Temperature	5°C - 65°C
Supply Connection	G 1/2" Threads
Finishing	Chrome
Body Material	Metal Alloy & Plastic

Product Variants

102151017xx	xx Localization Product Number
-------------	--------------------------------

January 2021

We reserve the right to alter product specification and colors and to make technical modifications without prior notice.

www.ECA.com.tr