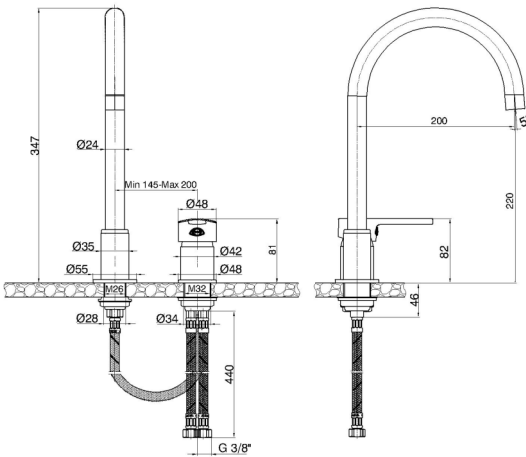




Product Description	
Product Number	402105007EX
Product Name	Concealed Sink Mixer
EAN Barcode	8693261822287

Technical Specification	
Aerator	Neoperl Perlator HC
Cartridge Type	Ø35 mm Ceramic Cartridge
Min. Water Pressure	0,5 bar
Max. Water Pressure	10 bars
Recommended Water Pressure	3 bars
Nominal Flow Rate @3bars	9 l/m
Inlet Water Temperature	5°C - 65°C
Supply Connection	450 mm G 3/8" Flexible Connection Hoses
Finishing	Chrome
Body Material	Brass



Product Variants	
402105007STEX	Sink Mixer Water Saving 5 l/m
402105007xx	xx Localization Product Number

Flow Rate Chart

