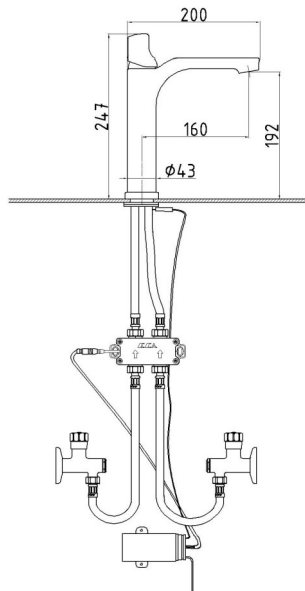


E.C.A. MYRA TOUCH MEDIUM TYPE BASIN MIXER



Product Description

| | |
|----------------|-------------------------------|
| Product Number | 102188029HEX |
| Product Name | Basin Mixer without Waste Set |
| EAN Barcode | 8693261054848 |

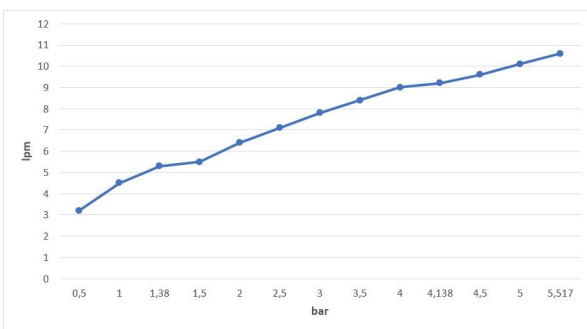
Technical Specification

| | |
|----------------------------|---|
| Aerator | Neoperl Caché |
| Cartridge Type | Ø35 mm Ceramic Cartridge |
| Min. Water Pressure | 0,5 bar |
| Max. Water Pressure | 10 bars |
| Recommended Water Pressure | 3 bars |
| Nominal Flow Rate @3bars | 7,8 l/m |
| Inlet Water Temperature | 5°C - 65°C |
| Supply Connection | 400 mm G 3/8" Flexible Connection Hoses |
| Supply Power | 4xAA 1,5V Lithium Batteries |
| Finishing | Chrome with Hygiene Plating |
| Body Material | Brass |

Product Variants

| | |
|----------------|--------------------------------|
| 102188029HSTEX | Basin Mixer Water Saving 5 l/m |
| 102188029Hxx | xx Localization Product Number |

Flow Rate Chart



Design Awards



January 2021

We reserve the right to alter product specification and colors and to make technical modifications without prior notice.

www.ECA.com.tr