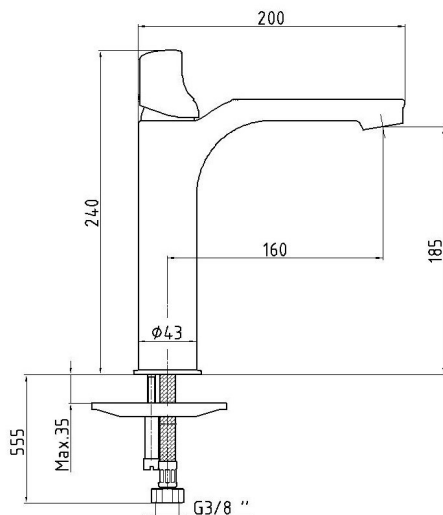
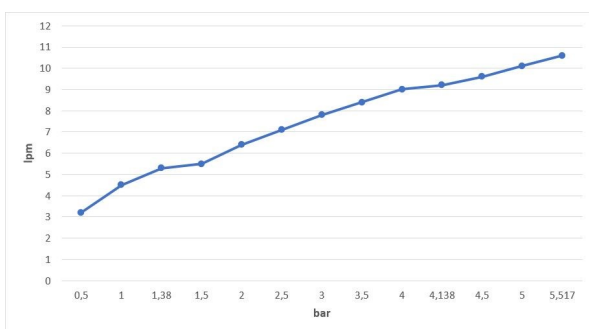


## E.C.A. MYRA MEDIUM TYPE BASIN MIXER



### Flow Rate Chart



### Design Awards



### Product Description

Product Number	102108983HEX
Product Name	Basin Mixer without Waste Set
EAN Barcode	8693261079742

### Technical Specification

Aerator	Neoperl Caché
Cartridge Type	Ø35 mm Ceramic Cartridge
Min. Water Pressure	0,5 bar
Max. Water Pressure	10 bars
Recommended Water Pressure	3 bars
Nominal Flow Rate @3bars	7,8 l/m
Inlet Water Temperature	5°C - 65°C
Supply Connection	600 mm G 3/8" Flexible Connection Hoses
Finishing	Chrome with Hygiene Plating
Body Material	Brass

### Color Options

104308983EX	Red - Chrome
104408983EX	Beige - Chrome
104508983EX	Black - Chrome
104108983EX	White - Chrome
102108983C1EX	Matt Black
104708983EX	Anthracite
102108983C4EX	Matt White

### Product Variants

102108983HSTEX	Basin Mixer Water Saving 5 l/m
102188009HEX	Basin Mixer with Metal Pop-Up Waste Set
102108983Hxx	xx Localization Product Number

January 2021

We reserve the right to alter product specification and colors and to make technical modifications without prior notice.

[www.ECA.com.tr](http://www.ECA.com.tr)