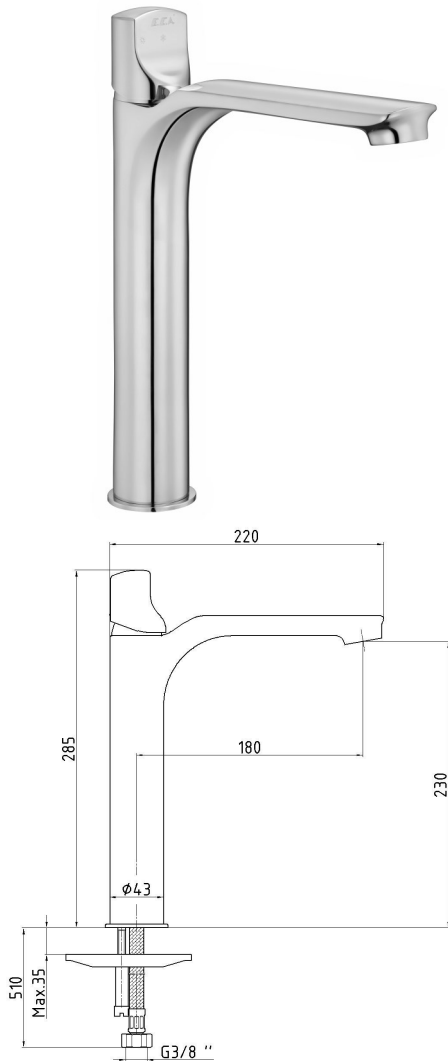


E.C.A. MYRA TALL TYPE BASIN MIXER



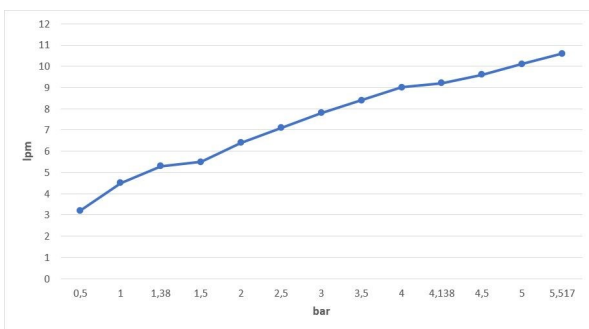
Product Description	
Product Number	102108984HEX
Product Name	Basin Mixer without Waste Set
EAN Barcode	8693261079988

Technical Specification	
Aerator	Neoperl Caché
Cartridge Type	Ø35 mm Ceramic Cartridge
Min. Water Pressure	0,5 bar
Max. Water Pressure	10 bars
Recommended Water Pressure	3 bars
Nominal Flow Rate @3bars	7,8 l/m
Inlet Water Temperature	5°C - 65°C
Supply Connection	600 mm G 3/8" Flexible Connection Hoses
Finishing	Chrome with Hygiene Plating
Body Material	Brass

Color Options	
104308984EX	Red - Chrome
104408984EX	Beige - Chrome
104508984EX	Black - Chrome
104108984EX	White - Chrome
102108984C1EX	Matt Black
104708984EX	Anthracite
102108984C4EX	Matt White

Product Variants	
102108984HSTEX	Basin Mixer Water Saving 5 l/m
102188010HEX	Basin Mixer with Metal Pop-Up Waste Set
102108984Hxx	xx Localization Product Number

Flow Rate Chart



Design Awards



January 2021

We reserve the right to alter product specification and colors and to make technical modifications without prior notice.

www.ECA.com.tr