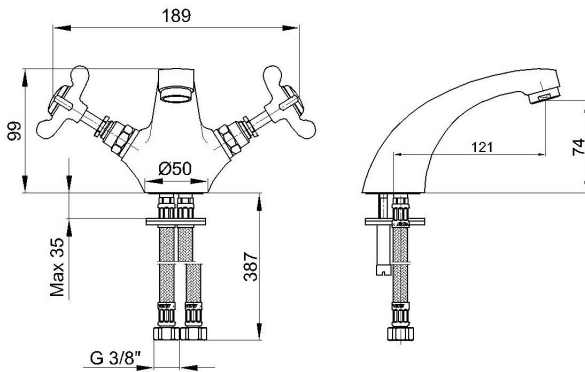


E.C.A. NEO CLASSIC BASIN MIXER

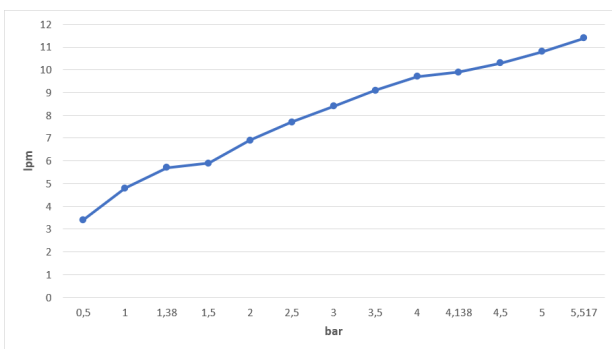


Product Description	
Product Number	102108351EX
Product Name	Basin Mixer without Waste Set
EAN Barcode	8693261062003

Technical Specification	
Aerator	Neoperl Perlator HC
Cartridge Type	G 1/2" Headwork Group
Min. Water Pressure	0,5 bar
Max. Water Pressure	10 bars
Recommended Water Pressure	3 bars
Nominal Flow Rate @3bars	8,4 l/m
Inlet Water Temperature	5°C - 65°C
Supply Connection	450 mm G 3/8" Flexible Connection Hoses
Finishing	Chrome
Body Material	Brass

Product Variants	
102108350EX	Basin Mixer with Metal Pop-Up Waste Set
102108351xx	xx Localization Product Number

Flow Rate Chart



January 2021

We reserve the right to alter product specification and colors and to make technical modifications without prior notice.

www.ECA.com.tr