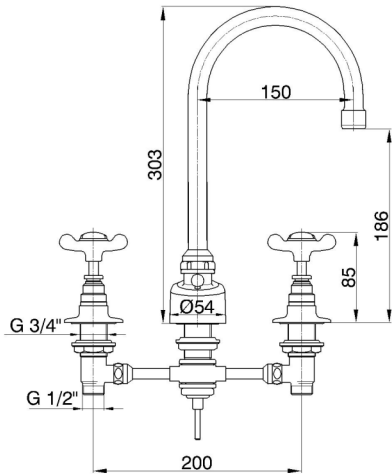


## E.C.A. NEO CLASSIC CONCEALED BASIN MIXER



### Product Description

Product Number	102105088EX
Product Name	Concealed Basin Mixer
EAN Barcode	8693261064182

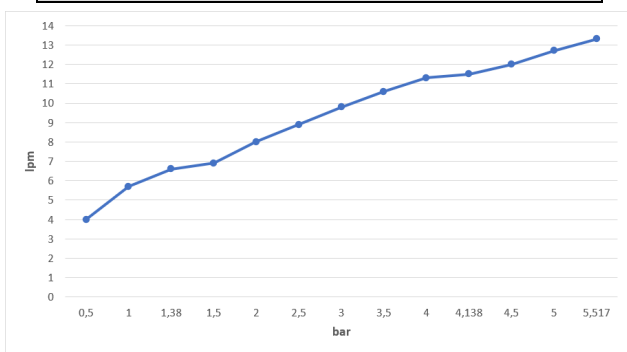
### Technical Specification

Aerator	Neoperl Perlator HC
Cartridge Type	G 1/2" Headwork Group
Min. Water Pressure	0,5 bar
Max. Water Pressure	10 bars
Recommended Water Pressure	3 bars
Nominal Flow Rate @3bars	9,8 l/m
Inlet Water Temperature	5°C - 65°C
Supply Connection	400 mm G 3/8" Flexible Connection Hoses
Finishing	Chrome
Body Material	Brass

### Product Variants

102105088STEX	Basin Mixer Water Saving 5 l/m
102104088EX	Basin Mixer with Metal Pop-Up Waste Set
102105088xx	xx Localization Product Number

### Flow Rate Chart



January 2021

We reserve the right to alter product specification and colors and to make technical modifications without prior notice.

[www.ECA.com.tr](http://www.ECA.com.tr)