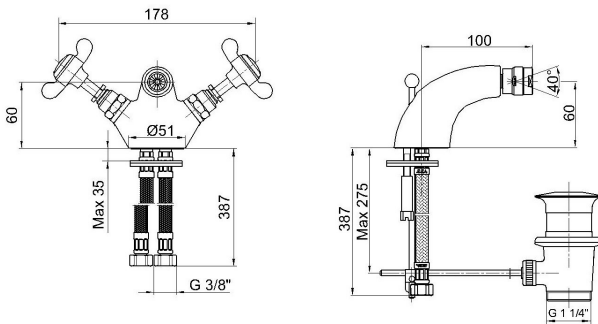




Product Description	
Product Number	102110085EX
Product Name	Bidet Mixer with Waste Set
EAN Barcode	8693261062386

Technical Specification	
Aerator	Neoperl Perlator HC
Cartridge Type	G 1/2" Headwork Group
Min. Water Pressure	0,5 bar
Max. Water Pressure	10 bars
Recommended Water Pressure	3 bars
Nominal Flow Rate @3bars	7 l/m
Inlet Water Temperature	5°C - 65°C
Supply Connection	450 mm G 3/8" Flexible Connection Hoses
Finishing	Chrome
Body Material	Brass



Product Variants	
102110085EX	Bidet Mixer with Metal Pop-Up Waste Set
102110085xx	xx Localization Product Number

**Flow Rate Chart**

