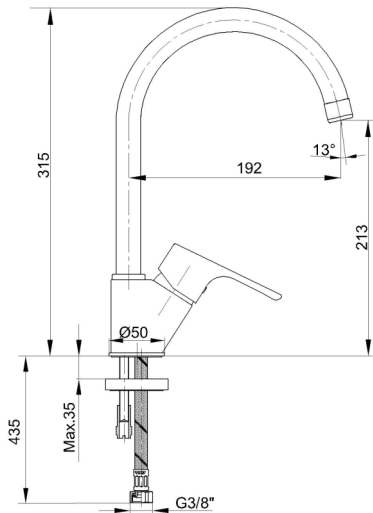


E.C.A. NIOBE SINK MIXER

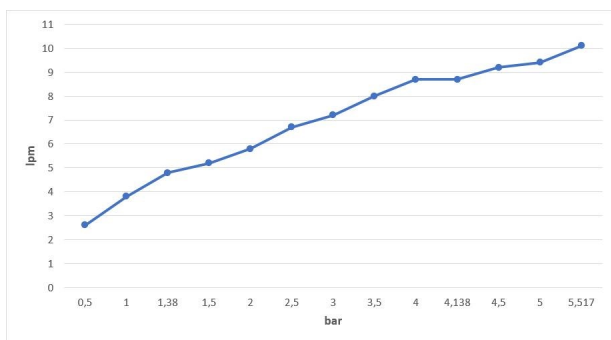


Product Description	
Product Number	102118098EX
Product Name	Sink Mixer
EAN Barcode	8693261058006

Technical Specification	
Aerator	Neoperl Perlator HC
Cartridge Type	Ø35 mm Ceramic Cartridge
Min. Water Pressure	0,5 bar
Max. Water Pressure	10 bars
Recommended Water Pressure	3 bars
Nominal Flow Rate @3bars	7,2 l/m
Inlet Water Temperature	5°C - 65°C
Supply Connection	450 mm G 3/8" Flexible Connection Hoses
Finishing	Chrome
Body Material	Brass

Product Variants	
102118098STEX	Sink Mixer Water Saving 5 l/m
102118098xx	xx Localization Product Number

Flow Rate Chart



January 2021

We reserve the right to alter product specification and colors and to make technical modifications without prior notice.

www.ECA.com.tr