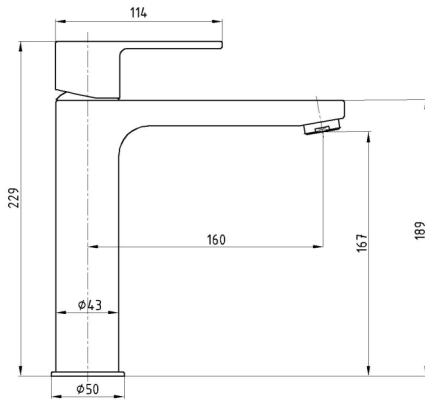


E.C.A. NITA MEDIUM TYPE BASIN MIXER



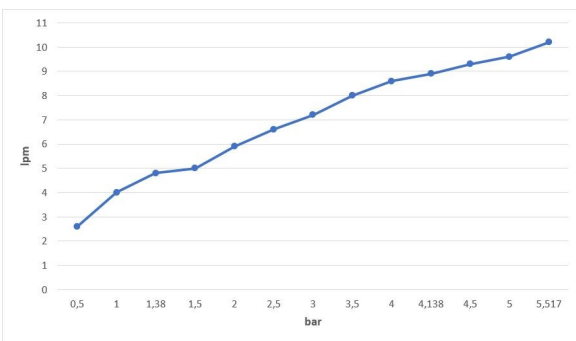
Product Description	
Product Number	102188041EX
Product Name	Basin Mixer without Waste Set
EAN Barcode	8693261059720

Technical Specification	
Aerator	Neoperl Perlator HC
Cartridge Type	Ø35 mm Ceramic Cartridge
Min. Water Pressure	0,5 bar
Max. Water Pressure	10 bars
Recommended Water Pressure	3 bars
Nominal Flow Rate @3bars	7,2 l/m
Inlet Water Temperature	5°C - 65°C
Supply Connection	600 mm G 3/8" Flexible Connection Hoses
Finishing	Chrome
Body Material	Brass

Color Options	
102188041C1EX	Matt Black
102188041C4EX	Matt White

Product Variants	
102188041STEX	Basin Mixer Water Saving 5 l/m
102188049EX	Basin Mixer with Metal Pop-Up Waste Set
102188041xx	xx Localization Product Number

Flow Rate Chart



January 2021

We reserve the right to alter product specification and colors and to make technical modifications without prior notice.

www.ECA.com.tr