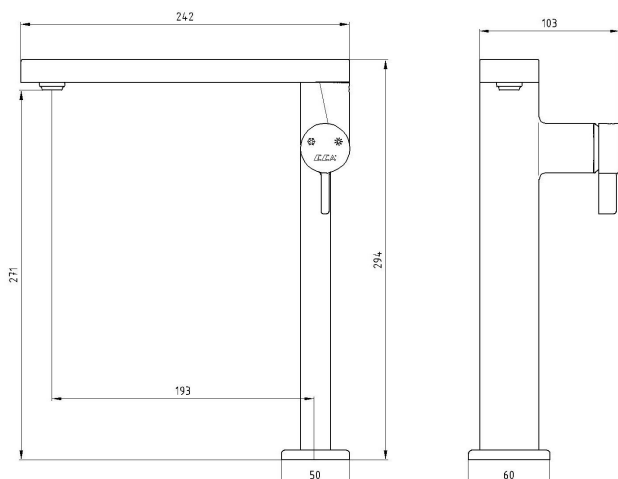


E.C.A. PURITY SINK MIXER



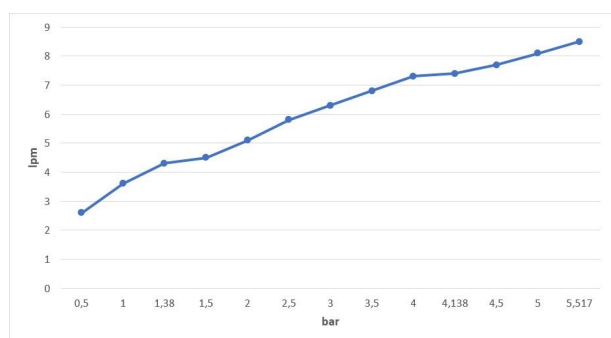
Product Description	
Product Number	102118082HEX
Product Name	Sink Mixer
EAN Barcode	8693261065981

Technical Specification	
Aerator	Neoperl Slim Air HC
Cartridge Type	Ø25 mm Ceramic Cartridge
Min. Water Pressure	0,5 bar
Max. Water Pressure	10 bars
Recommended Water Pressure	3 bars
Nominal Flow Rate @3bars	6,3 l/m
Inlet Water Temperature	5°C - 65°C
Supply Connection	700 mm G 3/8" Flexible Connection Hoses
Finishing	Chrome with Hygiene Plating
Body Material	Brass



Product Variants	
102118082HSTEX	Sink Mixer Water Saving 5 l/m
102118082Hxx	xx Localization Product Number

Flow Rate Chart



Design Awards



January 2021

We reserve the right to alter product specification and colors and to make technical modifications without prior notice.

www.ECA.com.tr