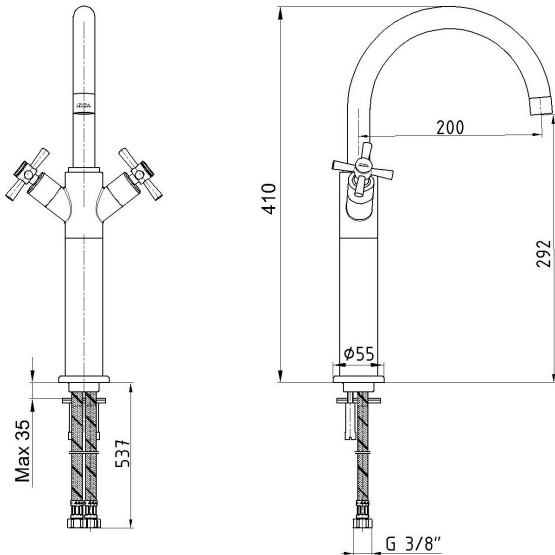


E.C.A. QUADRILLE TALL TYPE BASIN MIXER



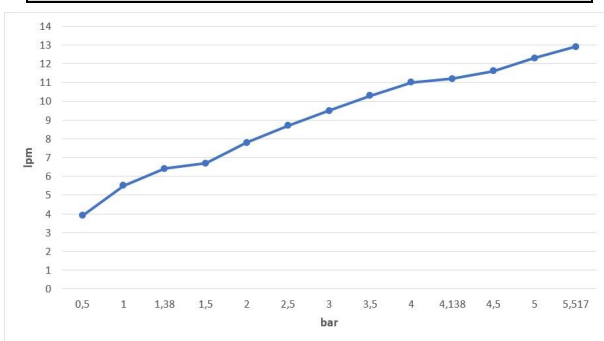
Product Description	
Product Number	102108614EX
Product Name	Basin Mixer without Waste Set
EAN Barcode	8693261062041

Technical Specification	
Aerator	Neoperl Perlator HC
Cartridge Type	G 1/2" 90° Ceramic Headwork Group
Min. Water Pressure	0,5 bar
Max. Water Pressure	10 bars
Recommended Water Pressure	3 bars
Nominal Flow Rate @3bars	9,5 l/m
Inlet Water Temperature	5°C - 65°C
Supply Connection	700 mm G 3/8" Flexible Connection Hoses
Finishing	Chrome
Body Material	Brass

Color Options	
102808614EX	Gold Effect

Product Variants	
102108614STEX	Basin Mixer Water Saving 5 l/m
102108615EX	Basin Mixer with Metal Pop-Up Waste Set
102108614xx	xx Localization Product Number

Flow Rate Chart



January 2021

We reserve the right to alter product specification and colors and to make technical modifications without prior notice.

www.ECA.com.tr