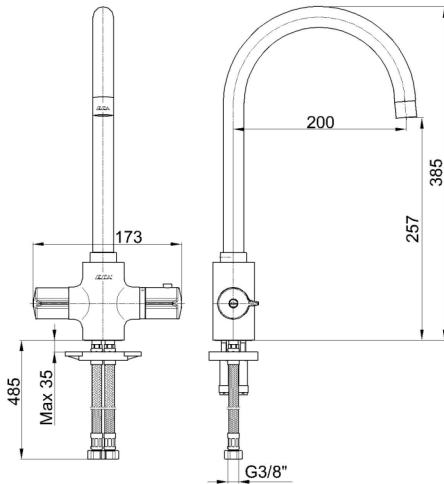


## E.C.A. THERMOSTATIC SINK MIXER

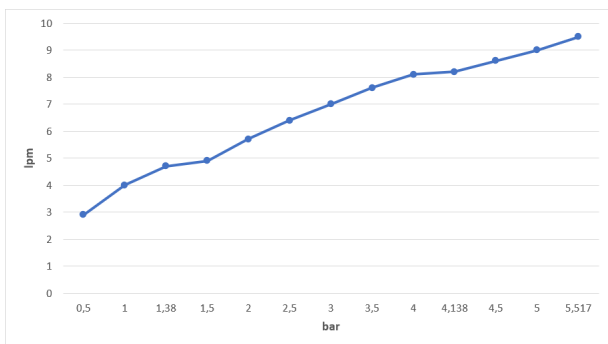


Product Description	
Product Number	102108754EX
Product Name	Sink Mixer
EAN Barcode	8693261064625

Technical Specification	
Aerator	Neoperl Cascade SLC
Cartridge Type	Thermostatic Cartridge for Temperature Control
	G 1/2" 180° Ceramic Headwork Group for On-Off Control
Min. Water Pressure	0,5 bar
Max. Water Pressure	10 bars
Recommended Water Pressure	3 bars
Nominal Flow Rate @3bars	7 l/m
Inlet Water Temperature	5°C - 65°C
Adjustable Temperature Range	20°C - 50°C
Supply Connection	450 mm G 3/8" Flexible Connection Hoses
Finishing	Chrome
Body Material	Brass

Product Variants	
102108754STEX	Sink Mixer Water Saving 5 l/m
102108754xx	xx Localization Product Number

**Flow Rate Chart**



January 2021

We reserve the right to alter product specification and colors and to make technical modifications without prior notice.

[www.ECA.com.tr](http://www.ECA.com.tr)