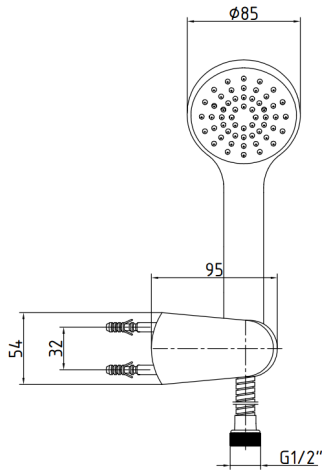


## E.C.A. SPIL HAND SHOWER SET



### Product Description

Product Number	102117336EX
Product Name	Single Function Hand Shower Set
EAN Barcode	8693261036424

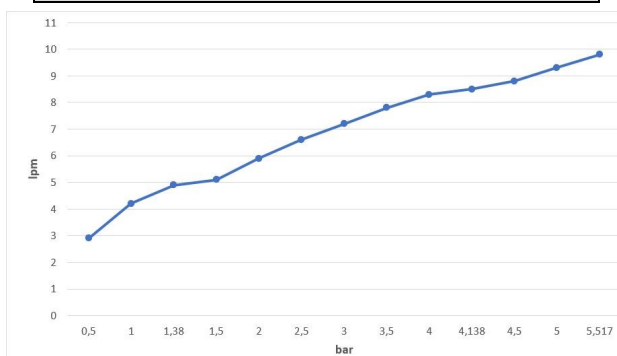
### Technical Specification

Connection Hose	1,5 m Anti-twist Clamped Flexible Hose
Head Sizes of Hand Shower	$\varnothing 85$ mm
Flow Regime	Single Flow Type
Min. Water Pressure	0,5 bar
Max. Water Pressure	10 bars
Recommended Water Pressure	3 bars
Nominal Flow Rate @3bars	7,2 l/m
Inlet Water Temperature	5°C - 65°C
Supply Connection	G 1/2" Thread
Finishing	Chrome
Body Material	Plastic

### Product Variants

102117336xx	xx Localization Product Number
-------------	--------------------------------

### Flow Rate Chart



January 2021

We reserve the right to alter product specification and colors and to make technical modifications without prior notice.

[www.ECA.com.tr](http://www.ECA.com.tr)