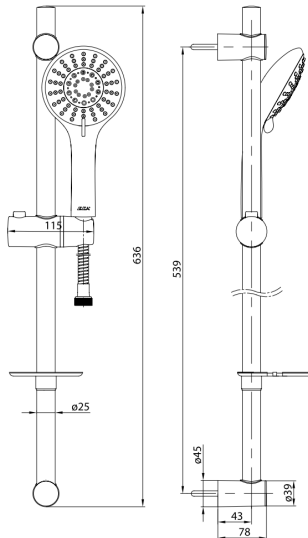


E.C.A. LOGICA SLIDING RAIL HAND SHOWER SET



Product Description

| | |
|----------------|--|
| Product Number | 102146027EX |
| Product Name | Five Functions Sliding Rail Hand Shower Set with Soap Holder |
| EAN Barcode | 8693261068623 |

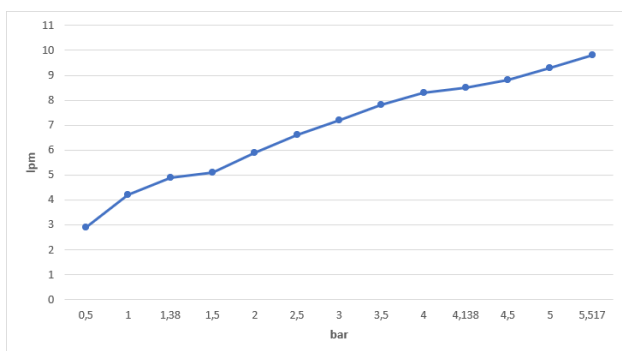
Technical Specification

| | |
|--------------------------------|--|
| Connection Hose | 1,5 m Anti-twist Clamped Flexible Hose |
| Head Sizes of Hand Shower | Ø110 mm |
| Positioning of Hand Shower Set | Vertically Moveable Bar |
| Flow Regime | 5 Different Flow Type Options |
| Flow Type Selection | Rotary Adjusting Water Outlet |
| Min. Water Pressure | 0,5 bar |
| Max. Water Pressure | 10 bars |
| Recommended Water Pressure | 3 bars |
| Nominal Flow Rate @3bars | 7,2 l/m |
| Inlet Water Temperature | 5°C - 65°C |
| Supply Connection | G 1/2" Thread |
| Finishing | Chrome |
| Body Material | Brass & Plastic |

Product Variants

| | |
|-------------|--|
| 102146039EX | Hand Shower Set with 1,75 m Anti-twist PVC Flexible Hose |
| 102146027xx | xx Localization Product Number |

Flow Rate Chart



January 2021

We reserve the right to alter product specification and colors and to make technical modifications without prior notice.

www.ECA.com.tr