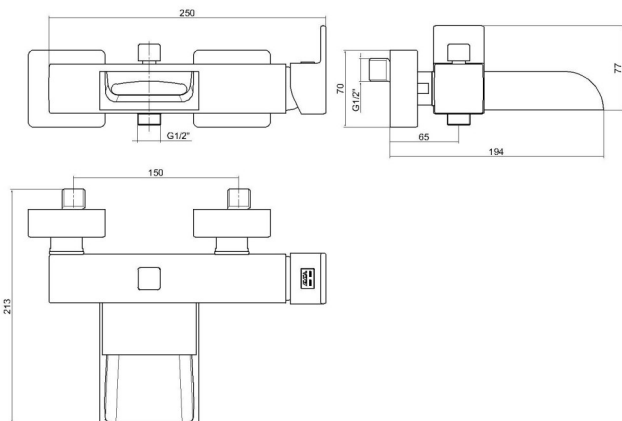


Product Description	
Product Number	402102250EX
Product Name	Bath Mixer
EAN Barcode	8693261063246

Technical Specification	
Regulator	Neoperl Flow Regulator
Cartridge Type	Ø35 mm Ceramic Cartridge
Min. Water Pressure	0,5 bar
Max. Water Pressure	10 bars
Recommended Water Pressure	3 bars
Nominal Flow Rate @3bars	19,8 l/m
Inlet Water Temperature	5°C - 65°C
Supply Connection	G 1/2" S-Unions
Finishing	Chrome
Body Material	Brass

Product Variants	
402102250STEX	Bath Mixer Water Saving 8 l/m
402102250xx	xx Localization Product Number



Flow Rate Chart

