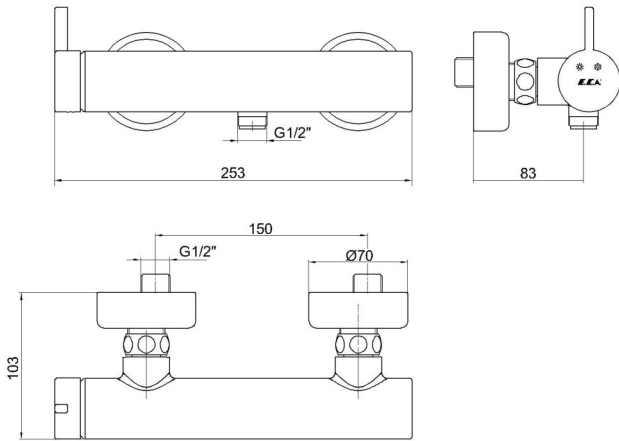




Product Description	
Product Number	102154031HEX
Product Name	Shower Mixer
EAN Barcode	8693261056125

Technical Specification	
Cartridge Type	Ø35 mm Ceramic Cartridge
Min. Water Pressure	0,5 bar
Max. Water Pressure	10 bars
Recommended Water Pressure	3 bars
Nominal Flow Rate @3bars	24 l/m
Inlet Water Temperature	5°C - 65°C
Supply Connection	G 1/2" S-Unions
Finishing	Chrome with Hygiene Plating
Body Material	Brass

Product Variants	
102154031Hxx	xx Localization Product Number



Flow Rate Chart

