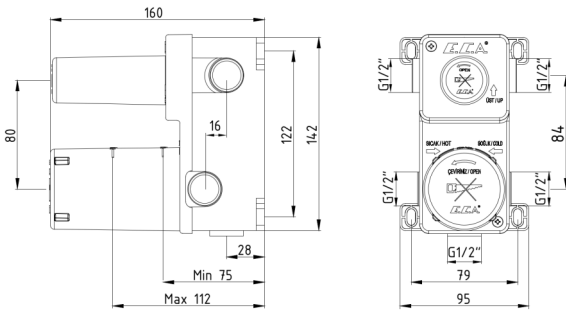


E.C.A. CONCEALED BATH MIXER



Product Description	
Product Number	102166301EX
Product Name	Concealed Bath Mixer Flush Mounted Group - 3 Way Diverter
EAN Barcode	8693261106486

Technical Specification	
Cartridge Type	Ø35 mm Ceramic Cartridge
Diverter Type	3 Way Diverter
Min. Water Pressure	0,5 bar
Max. Water Pressure	10 bars
Recommended Water Pressure	3 bars
Inlet Water Temperature	5°C - 65°C
Supply Connection	G 1/2" Threads
Finishing	Chrome on Visible Parts
Body Material	Brass

Color Options	
102166301C1EX	Matt Black
102166301C4EX	Matt White
102866301EX	Gold Effect

Product Variants	
102166301xx	xx Localization Product Number
102166301T9EX	Concealed Bath Mixer with Temperature & Flow Limiter Cartridge

January 2021

We reserve the right to alter product specification and colors and to make technical modifications without prior notice.

www.ECA.com.tr