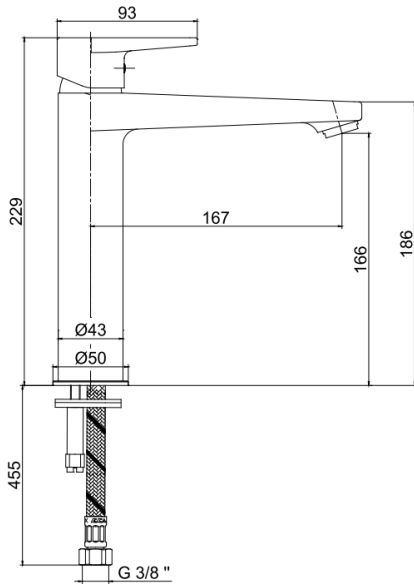


E.C.A. DALIA MEDIUM TYPE BASIN MIXER



Product Description

Product Number	102188117EX
Product Name	Basin Mixer without Waste Set
EAN Barcode	8693261108701

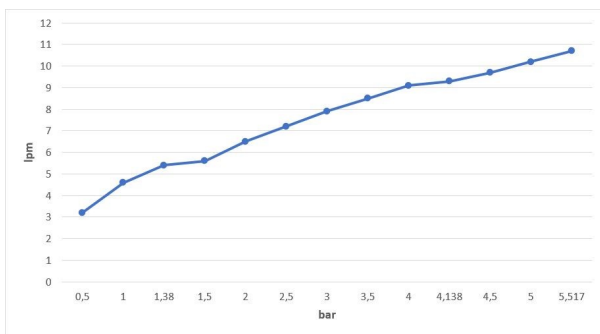
Technical Specification

Aerator	Neoperl Perlator HC
Cartridge Type	Ø35 mm Ceramic Cartridge
Min. Water Pressure	0,5 bar
Max. Water Pressure	10 bars
Recommended Water Pressure	3 bars
Nominal Flow Rate @3bars	7,9 l/m
Inlet Water Temperature	5°C - 65°C
Supply Connection	600 mm G 3/8" Flexible Connection Hoses
Finishing	Chrome
Body Material	Brass

Product Variants

102188117STEX	Basin Mixer Water Saving 5 l/m
102188119EX	Basin Mixer with Metal Pop-Up Waste Set
102188117xx	xx Localization Product Number

Flow Rate Chart



January 2021

We reserve the right to alter product specification and colors and to make technical modifications without prior notice.

www.ECA.com.tr