



CitiusPremix

**CITIUS PREMIX
CONDENSING BOILER**

CITIUS PREMIX 14/20/24/28 HM/HCH/HST

**INSTALLATION AND USER
OPERATING INSTRUCTIONS**



TABLE OF CONTENTS

1. INTRODUCTION	3
2. GUARANTEE AND SERVICE	3
3. DEFINITIONS OF SYMBOLS	3
4. SAFETY RULES AND WARNINGS	4
4.1. Safety Instructions	4
4.2. Water Systems & Gas Supply Line.....	4
4.3. Gas Conversion	4
4.4. Installation	4
4.5. Boiler Start Up	4
4.6. Usage and Maintenance	5
5. PRODUCT	5
5.1. General Specifications	5
5.2. Notations of Product	6
5.3. Detailed View and List of Components	6
5.4. Electrical Drawing	9
6. BOILER PACKAGING	10
7. FLUES	13
7.1. Flue Sizes	13
7.2. Flue Types.....	13
7.3. Distances for Placement of Flues	14
8. INSTALLATION	15
8.1. Selection of Installation Location of Device	15
8.2. Independent Operation from Ambient Air (Type C)	16
8.3. Mounting the Boiler.....	16
9. CONNECTIONS	17
9.1. Condensate Discharge Connection	17
9.2. Gas and Water Connections	18
9.3. Electrical Connection	19
9.4. Room Thermostat.....	20
9.5. Outdoor Sensor	21
9.6. Room Thermostat and Outer Air Sensor Connection	22
10. COMMISSIONING, USE AND TURNING OFF THE BOILER	23
11. CONTROL PANEL.....	24
12. ERROR CODES AND DESCRIPTIONS	27
13. USEFULL INFORMATION ON PRODUCT	29
14. ANNEXES	30
15. INSTALLATION TEMPLATE.....	31
16. ERP GUIDE	34
16.1. Technical Specifications Table	34
16.2. CE Marking	35
16.3. Product Information Sheet (ErP)	35
16.4. Package Fiche For Boilers Indicating The Space Heating Energy Efficiency Of The Package.....	37
17. REMOVAL INFORMATION	39
17.1. Unpacking the New Device	39
17.2. Compliance with AEEE Regulation and Disposal of Waste Product	39

1.INTRODUCTION

First of all, we would like to thank you for choosing E.C.A. brand.

E.C.A. Citius Premix condensing boilers have been designed for an efficient, safe and comfortable central heating and hot water requirement. The Citius Premix condensing boilers can possibly use natural gas according to the desired fuel preference.

HM Model: It is designed for both Central Heating (CH) and Domestic Hot Water (DHW).

HCH Model: It is designed for Central Heating (CH).

HST Model: It is designed for both Central Heating (CH) and Domestic Hot Water (DHW). Boiler connection must be used for Domestic Hot Water (DHW) requirement.

The assembly and usage information of 14/20/24/28 kW Citius Premix condensing boilers are available in this manual. Detailed information have been provided in the guide regarding the technical specifications of the devices, selection of the boiler location, fitting its water, gas, flue and electric supply connections, maintenance information and resolution of possible failures. Please carefully read the manual in order to benefit from all the features of your device.

Keep all the documents provided by your device in order to refer when required.

* A compliance with regulations regarding limited use of harmful materials used in electronic appliances.

* Does not contain any polychlorinated biphenyl, asbestos and mercury.

2. GUARANTEE AND SERVICE

- The appliance has guarantee period against faulty workmanship or material in condition that the instructions and precautions in this manual must be obeyed. The service operations and general maintenance must be carried out only qualified person.
- The warranty certificate must be registered by service in the installation day.
- Your appliance does not need any repair if operated according to this manual. For assistance for additional information, consult qualified person, installer or gas supplier.

3. DEFINITIONS OF SYMBOLS

The following symbols have been placed at required points in the text in order to draw attention to significant points regarding the usage and assembly of the device. The meanings of the symbols have been specified below.



Indicates that the situation that can only be interfered by qualified person.



INFORMATION

Explanations containing information that should be considered by the user.



CAUTION: It means that you may suffer from material damage or slight personal injury.

DANGER: It means that you may suffer from sever personal injury.

4. SAFETY RULES AND WARNINGS

4.1. Safety Instructions

When a gas leak is found or suspected;

- Turn off the gas valve of the boiler and the valves of all other devices operating with gas.
- Shut off the stove, oven and similar appliances to put their flame out.
- Do not light matches, lighter etc., and stub out your cigarette.
- Ventilate the environment by opening doors and windows.
- Do not ever touch the buttons and plugs of your electrical appliances.
- Turn off the gas valves in the apartment and building entrance.
- Do not use the phones at places where the gas leak is suspected.
- Call your qualified person as soon as possible.
- Do not place and use flammable and explosive liquid or materials around the boiler.
- Keep materials such as water, foam away from electrical connections during operations such as cleaning, gas leak test etc.
- Do not block air vents, openings made in the walls of the room which provide fresh air to the installation room.

4.2. Water Systems & Gas Supply Line

- Before installation of the boiler, the water systems (CH & DHW circuit) and gas supply line must be completed in accordance with the relevant regulations and standards by user.

4.3. Gas Conversion

- Appliance only work with natural gas. Appliance is not suitable for gas conversion.

4.4. Installation

- The boiler must be installed in accordance with national and local requirements, gas safety regulations, relevant standards and this manual by qualified installer.
- The appliance should be mounted against a closed wall.
- The appliance should not be positioned having direct contact to steam, detergent or gases.
- Any change of flue position must not be made without consulting qualified person.
- Sunlight can cause color change on the exterior of your device over time.
- The device must be installed in indoor spaces under normal conditions. However, it can be operated in a suitable cabinet in places such as garage, open balcony. Please consult E.C.A. for proper cabinet sizes.
- If device is located in an unheated area, it should be connected to mains, switched on, and pressure of installation should be within operation range so that freeze protection would be activated. Even if device is OFF position, freeze protection stays activated.

4.5. Boiler Start Up

- Boiler start up must be performed certainly by qualified person.
- Gas Type (Natural Gas), gas supply pressure (mbar), maximum DHW operating water pressure (bar) and electricity supply voltage on the information plate must be suitable with mains supply conditions. This is checked by qualified person.
- After boiler start up, you should request information about operating the boiler and safety precautions from qualified person.



CAUTION: The 2-amp bipolar fuse with a minimum contact opening of 3 mm must be used in the electrical connection of the boiler.

4.6. Usage and Maintenance

- Please follow Installation and user operating instructions. This would prevent and misuse and danger that would come from any installation and user error.
- The boiler should be checked and serviced for general maintenance once a year. Maintenance and service operations must be carried out only qualified person.
- Only a damp cloth should be used for cleaning the outer surface of the boiler and then the surfaces should be dried completely. Do not use chemical substances or solutions which cause rust and scratches in your appliances.



CAUTION: This device is not intended to be used by people with physical, sensory or mental disabilities (even children) or people with inadequate experience and knowledge, unless the person responsible for the safety of the device provides supervision and management of the use of the device. Children must be kept under surveillance to ensure that they do not play with the device. Cleaning and user maintenance should not be done by unattended children.



CAUTION: This device is not intended for use by people (including children) who are low physical or sensory and mental capacity and inexperienced people without informing and supervising the use of the device by responsible people. Ensure that children do not play with the appliance.



CAUTION: If device is used incorrectly or for other than its intended use, it may present a life hazard and may cause material damage to the product and its surroundings.



CAUTION: This device can be used by children over 8 years old and person with physical, sensory or mental disabilities, If proper information regarding safety and use of the device is given and dangers of this appliance is explained.

5. PRODUCT

5.1. General Specifications

Control panel is ergonomic and easy to use. The Citius Premix condensing combi boiler with elegant plastic control panel and advanced LCD screen provides ease of use and service. On a LCD display with black instrument panel, you can see the operating state icons, heating circuit and operating water adjustment values, the fault / failure codes and the heating water pressure.

With the safety systems available in your device, safety of both you and your device are fully ensured. These safety systems;

- Flame Failure Safety System
- Boiler Over-Heat Safety System (95 ° C)
- DHW (Domestic Hot Water) Over-Heat System (71 ° C)
- High Water Pressure Protection System (3 bar)
- Low Water Pressure Protection System (0.4 bar)
- Low Voltage Protection System (170 VAC)
- Thermal Accumulation Protection System (with by-pass circuit and "pump over-run")
- Frost Protection System for both CH and DHW circuit)
- Domestic Hot Water Flow Control (only for HM Model)
- Pump Anti-sticking Function
- 3 Way Valve Anti-sticking Function (except HCH Model)
- Automatic Air Vent
- Expansion Vessel (8 liters)
- Maintenance Reminder Function (Yearly)
- Anti-legioner Protection (only for HST Model)

5.2. Notations of Product

NOTATION	DEFINITION
Citius Premix 14/20/24/28 kW HM	Citius Premix Hermetic Monothermic Condensing Boiler
Citius Premix 14/20/24/28 kW HCH	Citius Premix Hermetic Central Heating Condensing Boiler
Citius Premix 14/20/24/28 kW HST	Citius Premix Hermetic Storage Tank Condensing Boiler

Table 1

5.3. Detailed View and List of Components

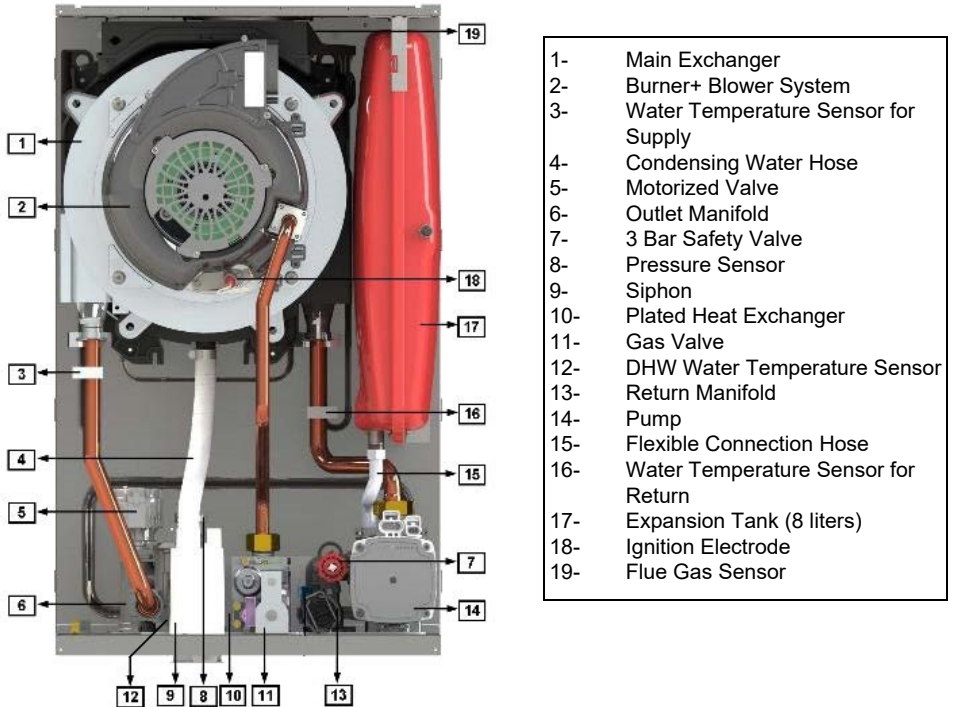


Figure 1.1 Version A*

* Components may be different for some appliance models.

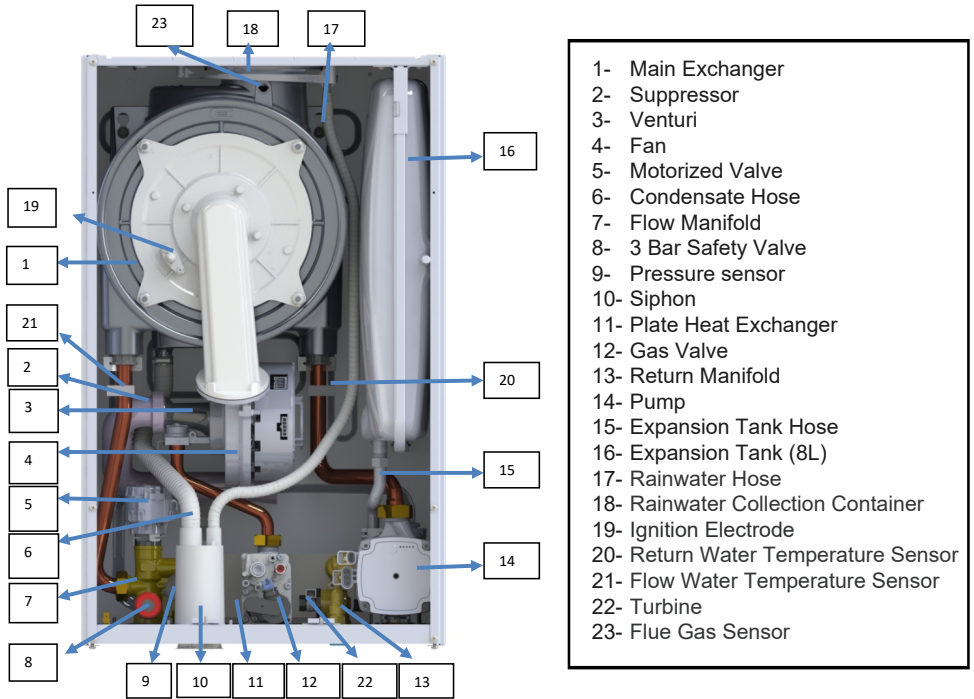


Figure 1.2. Version B *

* Components may be different for some appliance models.



Figure 2.1. Appliance External Dimensions

5.3.1. HM Model

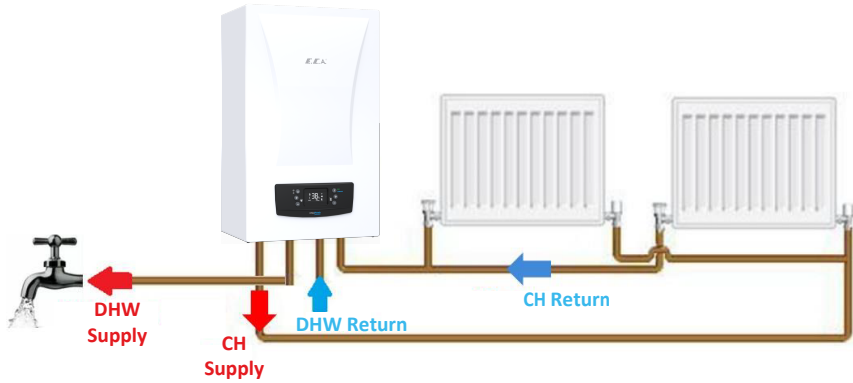


Figure 2.2

5.3.2. HST Model

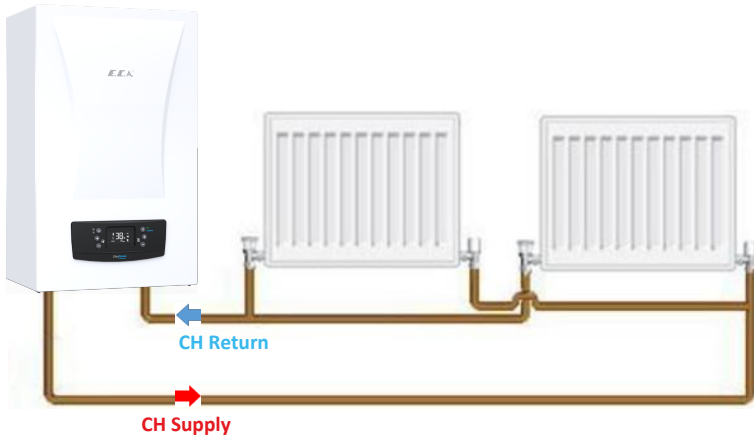


Figure 2.3

5.3.3. HCH Model

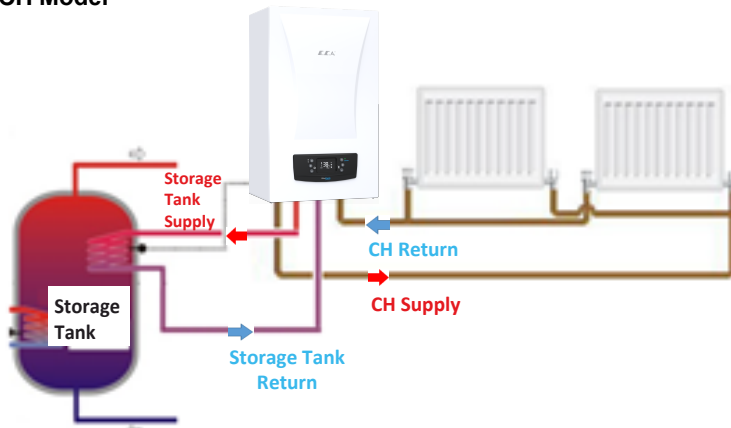


Figure 2.4

5.4. Electrical Drawing

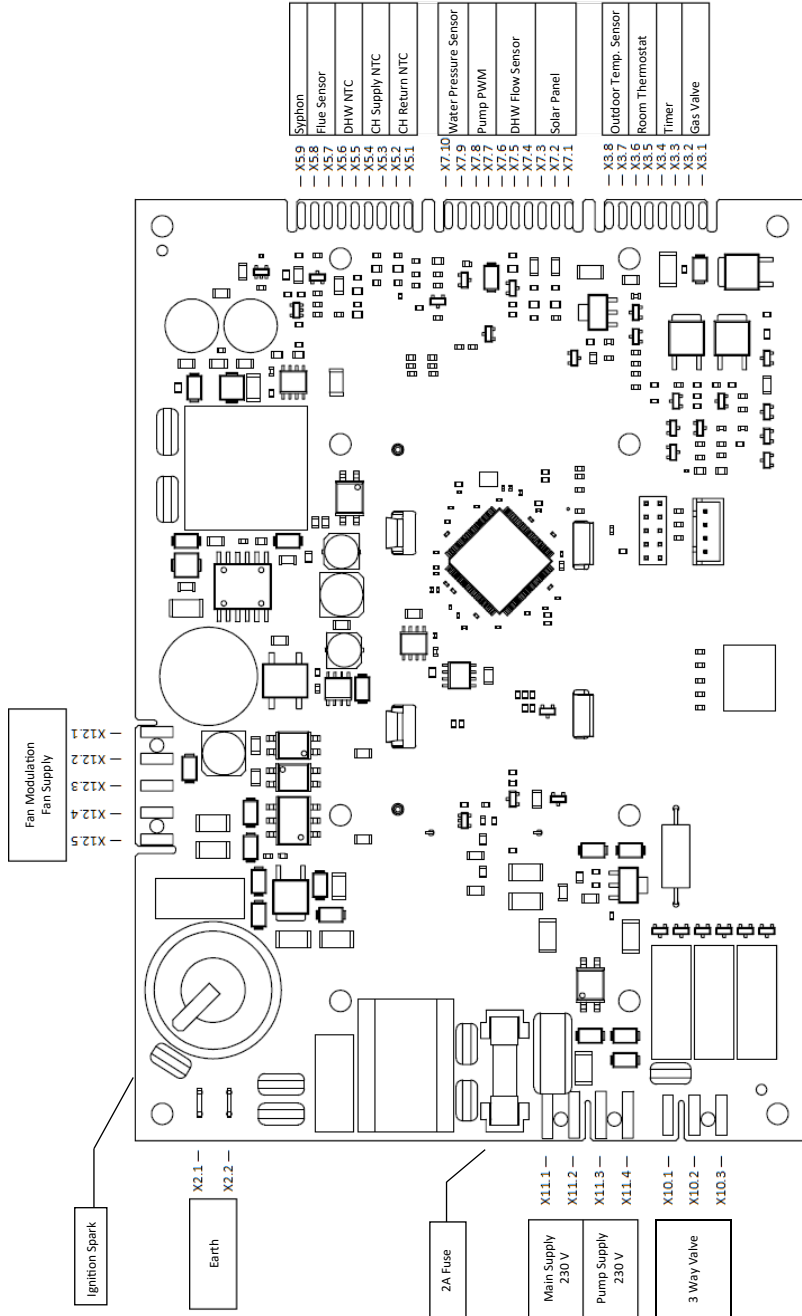


Figure 3.1 Version A

Electrical Drawing

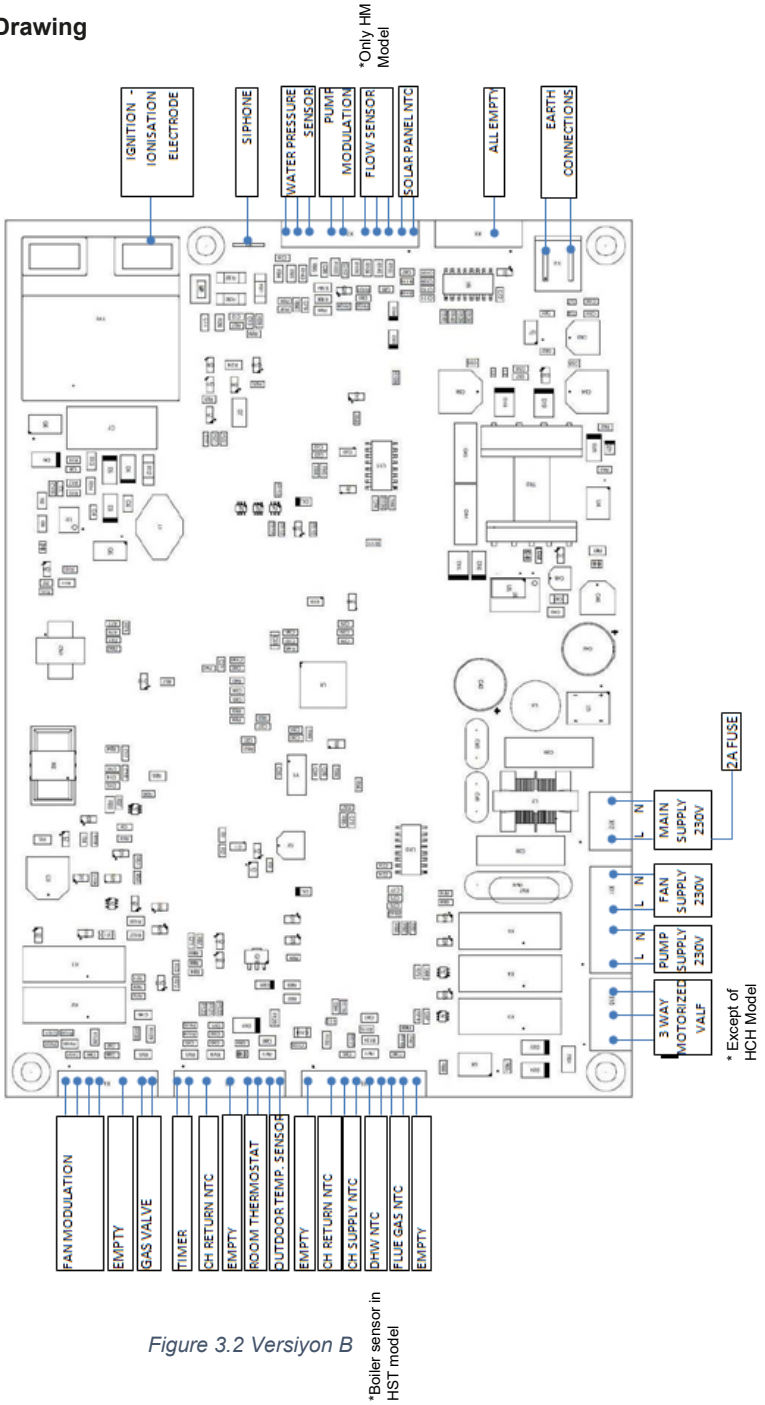


Figure 3.2 Versiyon B

*Boiler sensor in HST model

Electrical Drawing

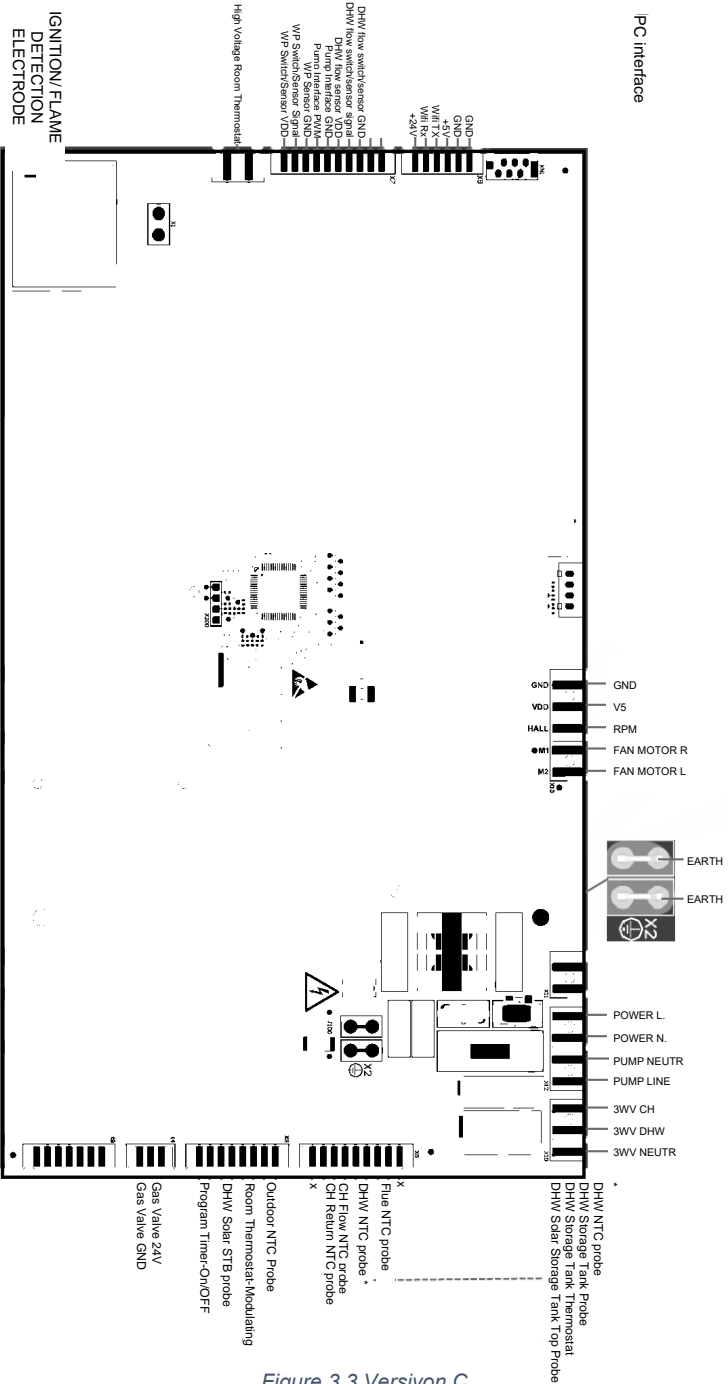


Figure 3.3 Versiyon C

6. BOILER PACKAGING



CAUTION: Attention must be paid to warning on packaging regarding handling and storage.

- The device is delivered with a carton board with dimensions of 735 x 345 x 490 (HxWxD) mm, supported by upper and lower styrofoam.

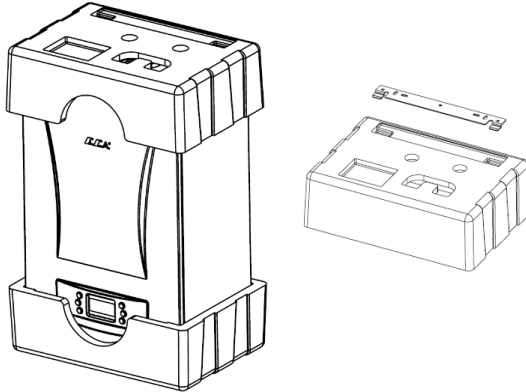


Figure 4

- Parts required for installation of the device (wall bracket, 5 gaskets for HM and HCH and 6 gaskets for HST water and gas connections, 3 anchors and 3 fixing screws) are placed on the top styrofoam.
- The hermetic flue set is delivered in a carton box separate from the unit. The standard hermetic flue set (\varnothing 60/100 or \varnothing 80/125) consists of the following components (Figure 5).

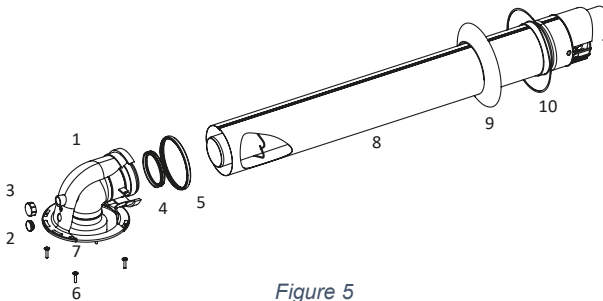


Figure 5

1-90°C Elbow	6-Flange Screws
2-Exhaust Gas Tap	7-Flange Gaskets
3-Air Inlet Tap	8-Flue Exhaust Terminal
4-Sealing Gasket \varnothing 60 or \varnothing 80	9-Inner Wall Connection Flange
5-Sealing Gasket \varnothing 100 or \varnothing 125	10-Outer Wall Connection Flange (EPDM)

Table 2

7. FLUES

7.1. Flue Sizes

Flue gas connections between the boiler and the flue terminal must be made using original components specially designed for the condensing boiler to ensure that the device operates efficiently and correctly.

Flue gas pipes and fittings of non-condensing boilers cannot be used for exhausting gases from condensing boilers. In the horizontal concentric flues, the exhaust gas pipe (the inner pipe) facing outwards should be inclined upward and the fresh air pipe (outer pipe) should be inclined downward. When the original flue set is installed parallel to the ground, the exhaust gas pipe is automatically inclined upwards.

Equivalent length for each 90° elbow: 1 m

Equivalent length for each 45° elbow: 0.5 m

7.2. Flue Types

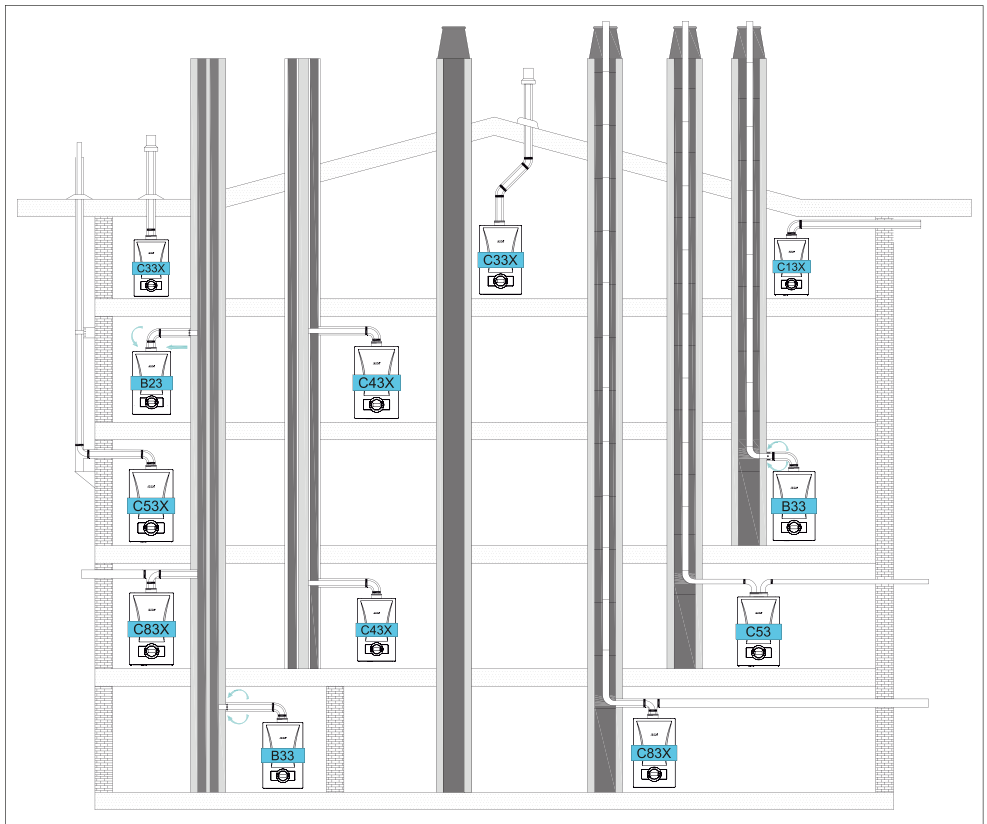


Figure 6

7.3. Distances for Placement of Flues

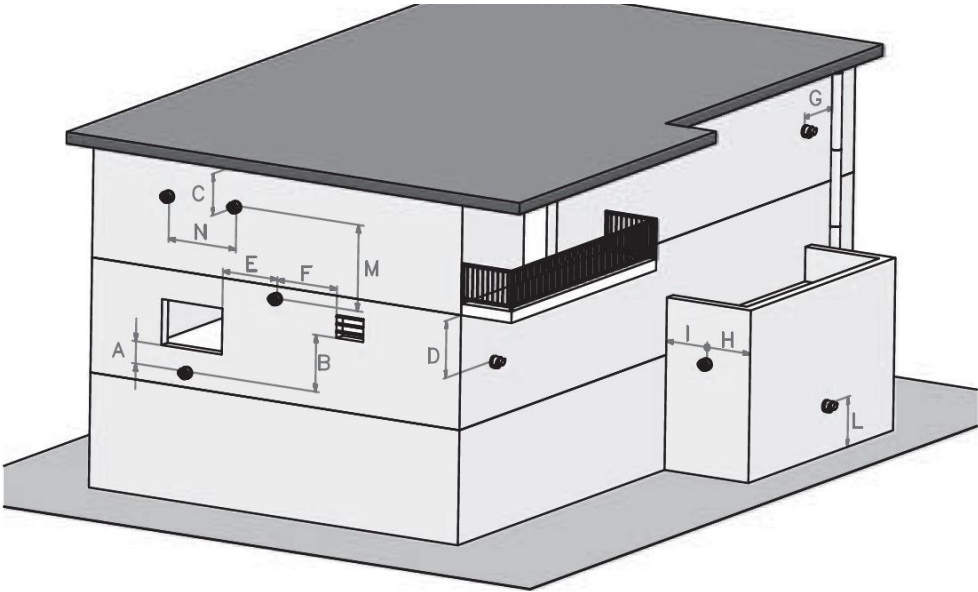


Figure 7

POSITION	DISTANCE (cm)	POSITION	DISTANCE (cm)
A-Below a windows	60	G- Next to vertical or horizontal pipe	60
B- Below an air vent	60	H- Below the distance grille from the outside of the building	30
C- Below rain channel	30	I- Distance from the inner corner of the building	100
D- Under the balcony	30	L- From the ground or from the floor	180
E- Next to a window	40	M- Vertical distance of two flue outlets	150
F- Next to an air grill	60	N- Horizontal distance of two flue outlets	100

Table 3

The places where it is inconvenient to make the chimney outlet of C type (hermetic) devices are stated in the following articles:

- Passages and holes,
- Narrow eaves gaps,
- Ventilation and lighting spaces of buildings,
- Inside the balconies,
- Elevator shafts,
- Grilles that provide fresh air to other units,
- Locations subject to direct wind resistance.

Underground, basement, etc. chimneys of products installed in spaces; endanger their habitat. It must be mounted in such a way that it does not sting and that no one can interfere with it. If an assembly is not possible, the chimney outlet should be extended to the roof and the assembly should be done.

8. INSTALLATION

8.1. Selection of Installation Location of Device

The boiler must be installed in accordance with gas safety regulations and relevant standards. Additionally, the clearance around the boiler should be as shown in figure 8. In order to make service, maintenance and usage easier.

Figure 8: It shows the minimum distances required from the top and sides of the device (Dimensions given in mm).

The installation must comply with the following minimum distances so that servicing and maintenance of the boiler can be performed correctly. The position of the boiler must be checked against technical requirements.

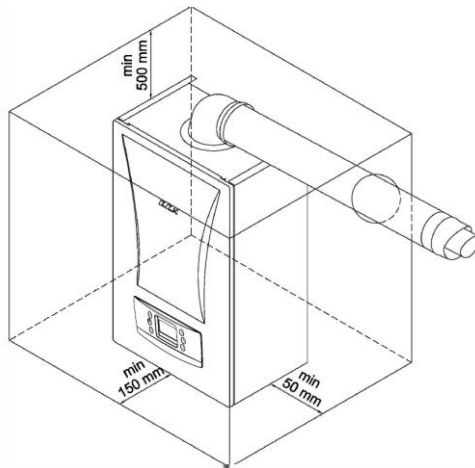


Figure 8

- ?** INFORMATION • The device can be used at altitudes up to 2000 m above sea level.
- ?** INFORMATION • There is no need to remove side panels in the combi boiler service operations. Minimum 50 mm clearances are given taking into consideration the share of possible side panel sheet changes.
- ?** INFORMATION • Do not install your boilers in locations that will be exposed to direct sunlight. Sunlight can cause color change on the exterior of your device over time.
- ?** INFORMATION • Ambient temperature of device's installation location should be between 5-35 °C.

Since the outside temperature of the device does not rise above 85 ° C at the maximum heating power, no special protective measures are required against the combustible construction materials and components.

8.2. Independent Operation from Ambient Air (Type C)



DANGER: The installation location of your condensing boiler and the flue connection of the flue must comply with the instructions specified by TSE authorized gas companies.



DANGER: Non-approved combustion air / flue pipes can create a risk of injury. Only use the manufacturer's original combustion air / flue pipes. It is not appropriate to interfere with the original chimney kits (cutting, adding, etc.).



DANGER: During installation, the boiler flue set and accessories must be fixed in such a way as to preserve their impermeability, taking into account the impacts and impacts that may come from the outside. Otherwise, the CO (carbon monoxide) gas that will leak from the chimney connections will cause poisoning and pose a life-threatening risk.

A chimney clamp should be used for each chimney and vertical section transition points, and a distance of less than 2 m should be left between the two flue clamps. The flue system must be rigidly fixed to the wall with the flue clamp.

Type C (hermetic) devices are not suitable for outdoor installations. These devices should be installed inside the building.

In case of gas leakage, it is necessary to vent the installation room according to national and local requirements, although the room sealed operation boilers are independent of room volume and ventilation.



DANGER: Do not block the air vents which provide fresh air to the installation room.

The air/flue terminal must be exposed to the external air and allow free passage of air cross it at all times.

- The minimum acceptable dimensions from the terminal to obstructions and ventilation openings must obey national and local requirements.
- All horizontally fitted ducts (air/flue) should be fitted 2° or 3° upwards incline to allow condensate water drain to the boiler.



INFORMATION

- The flue ducts are always wet.



INFORMATION

- Under cold or excessive humid weather conditions the water vapor inside the waste gas may condensate while leaving the flue.

8.3. Mounting the Boiler

Having determined the boiler location;

- The points of lock screws of wall bracket and assembly bracket are marked by using the assembly template inside installation and user's operating instructions of the device (pages 31-32-33). The mounting bracket is an optional part.
- After drilling the marked points, wall assembly bracket and assembly bracket are fixed on the wall by the dowel and lock screws which are inside the packaging of the device.
- Finally, the boiler is hanged on the wall by placing the assembly bracket on the back side of the boiler on the mounting bracket assembled on the wall.

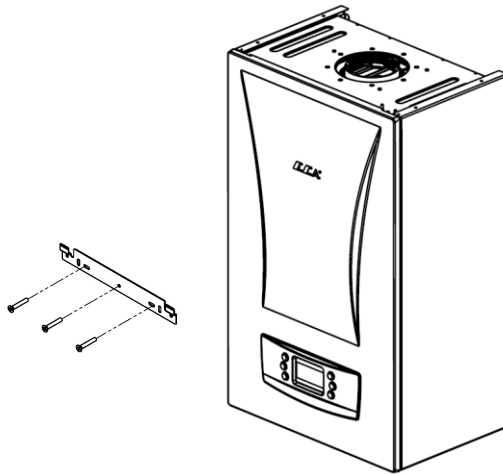


Figure 9

9. CONNECTIONS

9.1. Condensate Discharge Connection

? **INFORMATION** All condensing boilers generate condensing discharge. The amount of the condensate water depends on the working conditions of your appliance. This can be up to 1.7 liters condensate water an hour.

- The condensation water must be connected to a drain with the help of a plastic hose that is connected to the end of siphon. The use of standard discharge hose is recommended for connection to the drain. The addition of one cable connection on the hose should be made for fixing.
 - If drain hose will be connected to drain outside of the building, insulation should be provided to prevent freeze of hose.
 - The condensate discharge hose and interconnection parts must be made of plastic material.
- All horizontal parts must be connected at a slight 2° or 3° downwards incline to ensure to a good flow.



Figure 10

9.2. Gas and Water Connections

9.2.1. HM Model

- Water and gas supply connections between the boiler and the mounting bracket can be fixed with the optional pipes and the nipples as shown in.

- a) CH flow $\frac{3}{4}$ " (hot)
- b) DHW outlet $\frac{1}{2}$ " (hot)
- c) Gas inlet $\frac{3}{4}$ "
- d) DHW inlet $\frac{1}{2}$ " (cold)
- e) CH return $\frac{3}{4}$ " (cold)

- A suitable valve should be mounted on the gas inlet and CH & DHW water circuit. In addition, a water filter should be mounted on CH ($\frac{3}{4}$ ") return and DHW ($\frac{1}{2}$ ") inlet.

- A plastic pipe should be fixed the outlet tap of the three bar relief valve and the pipe should be connected to the drain line.

- The connection between the appliance and gas supply must be made with a flexible pipe.

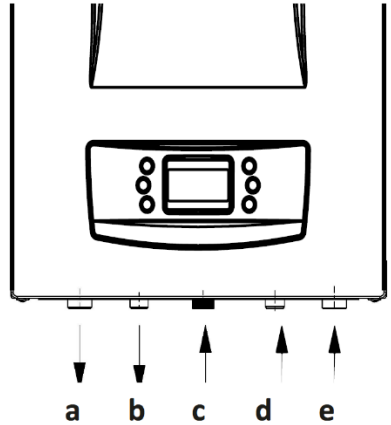


Figure 11

9.2.2. HCH Model

- a) CH flow $\frac{3}{4}$ " (hot)
- b) Water filling line $\frac{1}{2}$ "
- c) Gas inlet $\frac{3}{4}$ "
- d) CH return $\frac{3}{4}$ " (cold)

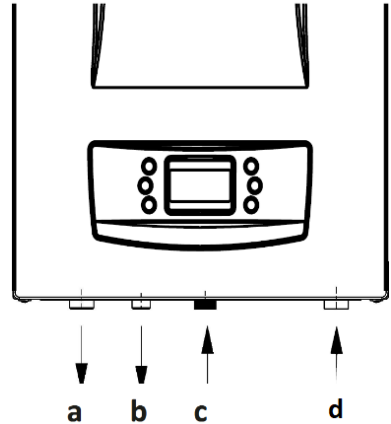


Figure 12

9.2.3. HST Model

- a) CH flow $\frac{3}{4}$ " (hot)
- b) Boiler supply water (hot)
- c) Gas inlet $\frac{3}{4}$ "
- d) Boiler return (cold)
- e) Installation Filling Line $\frac{1}{2}$ "
- f) CH return $\frac{3}{4}$ " (cold)

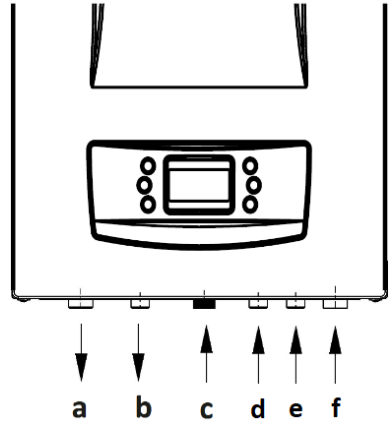


Figure 13

9.3. Electrical Connection

Electrical installation should be made according to the national and local instructions. The boiler must be earthed and a standard 230 V AC – 50 Hz supply is required.



CAUTION: Disconnect power supply to prevent electrical shock before connecting the electrical supply.



CAUTION: If the supply cord is damaged, it must be replaced by the manufacture, its service agent or similarly qualified person in order to avoid a hazard.



CAUTION: The 2-amp bipolar fuse with a minimum contact opening of 3 mm must be used in the electrical connection of the boiler.



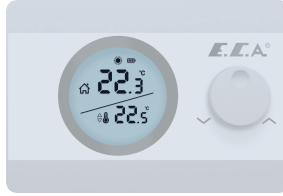
CAUTION: The cable diameter (including insulation) of the electrical installation to be installed must be at least 14 mm and the pipe diameter used must be at least 16 mm.

9.4. Room Thermostat

Optional room thermostats compatible with your device can be used to control heating system.



E.C.A. Poly COMFORT
200 W Thermostat
7006903007



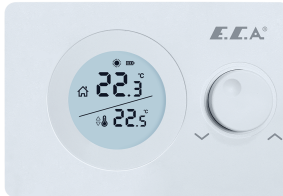
Poly Plus 100 W Wireless
Room Thermostat
7006903002



E.C.A. Poly TOUCH
400 W Thermostat
7006903006



E.C.A. Poly COMFORT
200 W Thermostat
7006903004



E.C.A. Poly PURE
100 W Thermostat
7006903003



E.C.A. Poly TOUCH
400 W Thermostat
7006903005



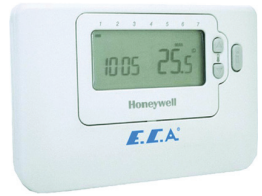
E.C.A. Circle 100 W
On/Off Wireless
Room Thermostat
7006903000



E.C.A. Poly 100 W
On/Off Wireless
Room Thermostat
7006903001



E.C.A. Wireless
Room Thermostat
On/Off
7006907522



E.C.A. Programmable
Digital Room Thermostat
-CM707
7006901313

Figure 14

9.5. Outdoor Sensor

To connect the room thermostat or outdoor sensor to the device, the connections behind the control panel are used. For the room thermostat, the bridged cable connection on the back of the control panel is removed and the outer air sensor is connected to free sockets on the terminal.



- It can be provided as an option according to boiler models.
- It allows operation of combi boiler adjusted to outside temperature.

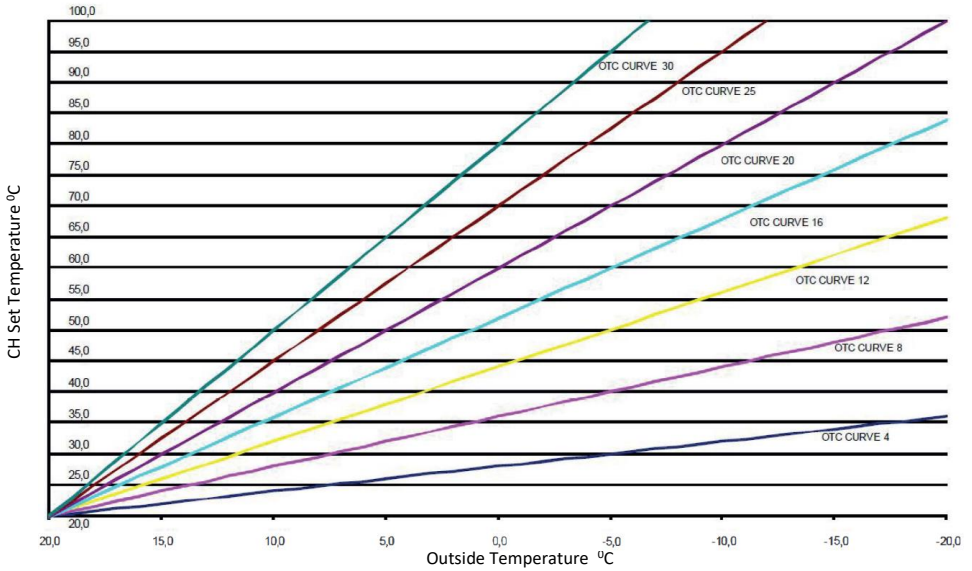
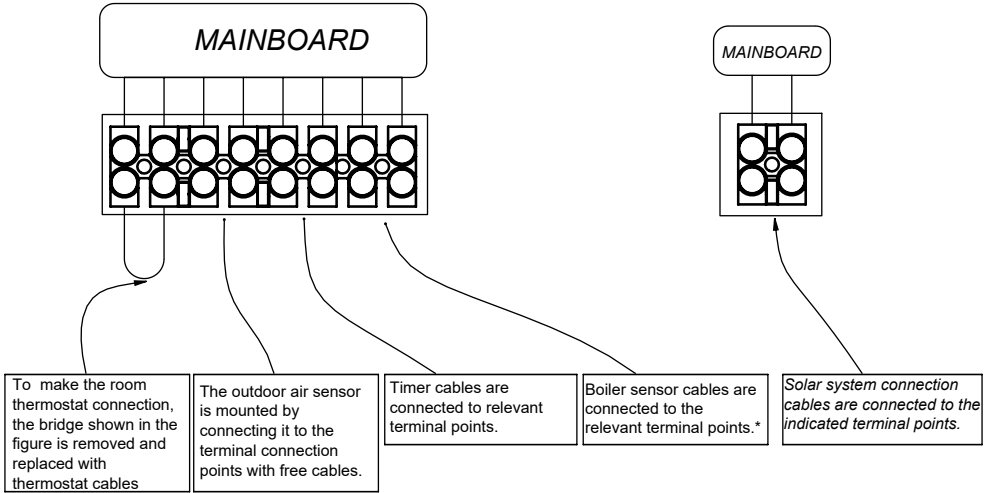


Figure 15

9.6. Room Thermostat and Outer Air Sensor Connection



*This connection type is only valid for HST models.

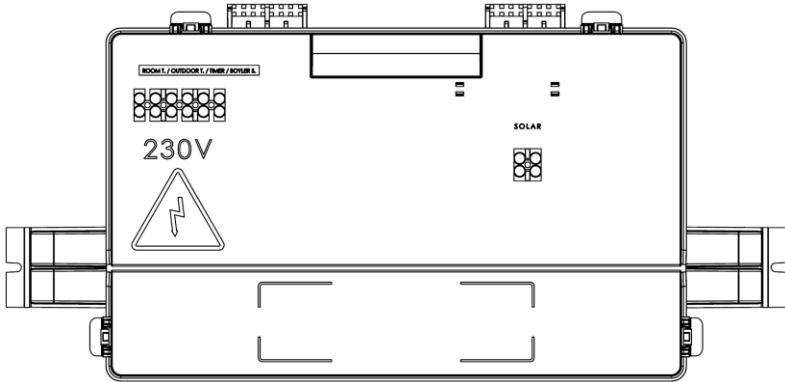


Figure 16

- Cancel the bridge on the other side on room thermostat connection.
- Only the room thermostats deemed to be appropriate by authorized services of E.C.A. should be used on your boiler. Otherwise, it may cause the malfunction of your device. Responsibility is not undertaken under such conditions.



The connections of room thermostat, outdoor sensor and timer must be performed certainly by qualified person.

10. COMMISSIONING, USE AND TURNING OFF THE BOILER

10.1. Commissioning, Filling Water into Boiler and Heater Installation

- First of all, the electrical connection of the boiler is done. The electrical connection of the device must be connected to a grounded power supply line that can supply enough voltage (230 VAC, 50 Hz) for the device.
- All radiator valves should be opened.
- CH flow and CH return of boiler should be opened. Check them.
- After all these processes, filling valve is slowly opened and filling procedure is initiated. The filling process continues until the water pressure of 1.5-2 bar is seen on the LCD display and then the filling valve is closed.
- When the water pressure increase to 0.8 bar, the LCD will show "AP" and the boiler will switch to automatic air vent mode. In this case you should definitely wait for 160 seconds without pressing "RESET".
- Check water pressure on pressure indicator frequently and ensure that the pressure is between 1.5 and 2 bar when system is cold. If the pressure drops frequently, it means that there is a water leak in the system. In such case, it is necessary to call a plumber.

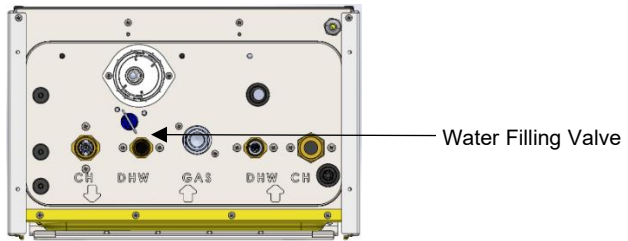


Figure 17



ATTENTION : Always close the water filling valve, the installation water may leak and damage the environment.

- To discharge air out of CH installation, purgers of the radiator is loosened and air is discharged until water comes out of radiators. This procedure is done for all radiators.
- Pressure is checked again on LCD screen. The filling valve is opened and again pressure is raised to 1.5 – 2 bar level. Radiator purgers are checked again to see if there is any air left inside of heating installation. For full efficient heating, all air must be discharged.
- Finally, check for any leaks in the radiator and piping.



ATTENTION: In order to prevent calcification of the heat exchanger, you are advised not to use well water, natural spring water instead of mains water.

- Check the domestic water installation by opening the hot water tap. Check for any leaks in the piping.
- The exhaust gas flue assembly must be installed from the original parts in accordance with the instructions.
- Gas supply must be checked by the qualified gas company.
- Must be called authorized service to start up the boiler after all these processes are completed.
- Commissioning must be strictly performed by authorized service.
- At the end of the commissioning of the device after installation, please ask for information of authorized service on operating the device and relevant safety devices on device.

10.2. Using the Device

10.2.1. Switching off the Device

You can switch off the boiler by holding down the ON/ OFF button for 3 seconds. LCD light will be OFF after 1 minute.

Anti-freeze function remains active.

11. CONTROL PANEL

11.1. Functions of Buttons

The control panel consists of the relevant elements as shown in figure below.



Figure 18

1 Position Selection Button

The position can be changed by pressing the position selection button once to change between the winter mode and the summer mode. If the button is pressed for 3 seconds, the device will switch into "standby" position. It will suffice to press the button once to get the device in operation position.

2 Reset Button

Main functions:

- Exit from lockout error (EXX)
- ECO mode activation
- Comfort mode activation

When your device fails, the error code will start flashing on the display. There are 2 types of errors, lockout (EXX) and blocking (FXX) error. When a lockout error condition occurs (EXX), the error must first be corrected so that the error code can be removed from the LCD screen. After pressing the "Reset" key once, the device can switch back to normal operation state. As for a blocking error, the fault cannot be removed from the LCD display pressing the "Reset" button (FXX). When this error is corrected, error code is automatically disappears from LCD screen.

The first time the device starts, it will start working in Comfort mode.

Once the Reset button is pressed when operating in Comfort mode, the device will switch to Eco mode. Then when Reset button is pressed again, the unit will switch to Comfort mode.

3 Domestic Hot Water Increase Temperature Button

The temperature of the domestic water can be increased up to 65 °C thanks to the domestic water temperature increase button.

4 Central Heating Water Increase Temperature Button

The temperature of the heating water can be increased up to 80 °C thanks to the heating water temperature increase button.

5 Domestic Hot Water Decrease Temperature Button

The temperature of the domestic water can be decreased down to 30 °C thanks to the domestic water temperature decrease button.

6 Central Heating Water Decrease Temperature Button

The temperature of the heating water can be decreased down to 30 °C thanks to the heating water temperature decrease button.

11.2. LCD Screen

LCD screen display icons described here below.

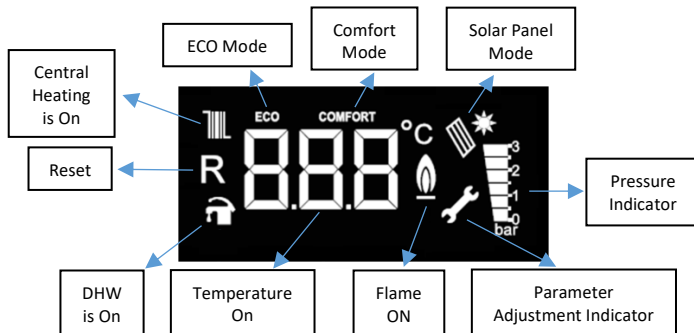


Figure 19

11.2.1. Flame Icon

When operating between 0% and 50% capacity range, the icon is displayed on the LCD screen as single bar, whereas it is displayed as two bars when operating between 50% -100% capacity range.

11.2.2. Pressure Indicator

The LCD display shows 0-0,5-1-1,5-2-2,5-3 bar water pressure values. The values other than these ones are not displayed. Only when filling after C37 (Low water pressure error) fault, the pressure value is displayed in the temperature value section.

11.3. Operation Functions

11.3.1. Standby (OFF Mode)


The mode where device can be set to standby mode. In this mode, no requests for heating water and domestic water can be made. To activate the OFF mode, it is necessary to keep button no. 1 (position selector) pressed for 3 seconds continuously. When -OFF- is displayed on screen, mode is activated.

11.3.2. Air Discharge Mode (AP Mode)

It is the process that the device automatically activates to discharge air in the central heating installation for 160 seconds. In this mode, "AP" is displayed on the screen.

The circulation pump runs for 15 seconds then stops every 5 seconds in intervals of every 20 seconds. The three-way valve motor also changes position between a CH-DHW in 40 seconds. The situations where this mode is activated is listed here below.

- Once the device is powered for the first time or after the electricity has been switched off and on,
- After the reset operation following the overheating fault (A03),
- After elimination of high water pressure (C40) or low water pressure (C37) error,

 **INFORMATION** Do not press 'RESET' while AP mode is active.

11.3.3. Winter Mode – Radiator Heating

If the device in the standby position is set to the winter position, the appliance will heat the water in the heating circuit until the domestic water is needed. In the winter mode, both the tap and the radiator icon are displayed on the LCD screen. When a request for heating is made for radiator, radiator icon flashes (once/second), tap icon stays fixed. When a request for domestic water is made, tap icon flashes (once/second), radiator icon stays fixed. In this mode, radiator heating circuit's temperature can be set between 30-80°C. For under floor heating applications, the temperature range can be set between 30-45°C.

11.3.4. Summer Mode

If the device in the OFF position is set to the summer position, the device will only respond to the domestic hot water demands. In summer mode, the tap symbol appears fixed on the LCD screen, the radiator icon does not appear. When the domestic hot water is heating request, the tap symbol flashes (1 time / second). In this mode, the domestic hot water temperature can be adjusted between 30-65°C.

11.3.5. Comfort Mode

The standard operating mode of the device is Comfort mode. By pressing the "Reset" button, Eco-Comfort modes can be switched. When Comfort mode is active, "Comfort" icon is displayed on the LCD screen. Comfort mode is only for radiator heating circuit. It has no effect on use of domestic water circuit. In this mode, the device responds to fast heating demands by running in modulation.

11.3.6. ECO Mode

By pressing the "Reset" button, Eco-Comfort modes can be switched. When Eco mode is active, "Eco" icon is displayed on the LCD screen. Eco mode is only for radiator heating circuit. It has no effect on use of domestic water circuit. This mode allows savings on fuel by performing on-off operation.

11.3.7. Maintenance Reminder Mode



It is the mode where a reminder for yearly maintenance is activated. When this mode is active, only "ASE" is displayed on screen and device continues to meet heating requests. When you see "ASE" on screen, please get in contact with E.C.A. authorized services for yearly maintenance.

11.3.8. Anti-Frost Mode

During the winter season, when the installation water temperature falls below 6 ° C, the anti-freeze function is activated and the device continues to operate until the water output of installation rises to 15°C. In order for anti-freeze function to be activated, the following conditions must be checked and ensured by the customer.

- The power supply of the device must be switched on.
- The gas valve and radiator valves must be open.
- Water pressure of system should be at appropriate level.
- The anti-freeze function helps protect your device, it does not protect your installation.
- If device will not be operated for a while in places where there is risk of freezing, then it is necessary to drain the water or to use an anti-freeze agent.

12. ERROR CODES AND DESCRIPTIONS

Error Code	Error Type	Possible Cause	Troubleshooting
A00	Error on mainboard software	Mainboard software problem	1- Press reset button. 2- If the error is still present (or persists) after reset, notify authorized service of E.C.A.
A01/E01	Ignition Fault	No gas connection for combi boiler.	1- Check that the gas valve is open. 2- Check if there is gas in installation. 3- Press reset button. 4- If the error is still present (or persists) after reset, notify authorized service of E.C.A.
A02/E02	False Flame Signal	It is triggered if flame is detected in the burner while gas valve is closed.	1- Press reset button. 2- If the error is still present (or persists) after reset, notify authorized service of E.C.A.
A03/E03	Over Temperature Warning	It will occur if the temperature of return and supply water exceeds 90°C.	1- Check that water valves of boiler installation are open. 2- If the combi boiler triggers this error in winter mode, check that at least 1 radiator is open. 3- Press reset button. 4- If the error is still present (or persists) after reset, notify authorized service of E.C.A.
A05/E05	No feedback from the fan for more than 1 minute	Fan or fan cable problem	1- Press reset button. 2- If the error is still present (or persists) after reset, notify authorized service of E.C.A.
A06	Fan cannot reach the required speed error	Fan or fan cable problem	Notify authorized service of E.C.A.
E06	Fan signal error	The speed value measured from the fan for 60 seconds is not within the specified range	1- Press reset button. 2- If the error is still present (or persists) after reset, notify authorized service of E.C.A.
A07/F58/E07	Flue gas high temperature lockout	If the F07 error occurs twice in a month, this error occurs.	Notify authorized service of E.C.A.
A08/E08	Flame circuit error	Mainboard problem	1- Press reset button. 2- If the error is still present (or persists) after reset, notify authorized service of E.C.A.
A09/E09	Valve is not giving any feedback	Gas valve problem	1- Press reset button. 2- If the error is still present (or persists) after reset, notify authorized service of E.C.A.
A12/E12	EEPROM error	Mainboard problem	1- Press reset button. 2- If the error is still present (or persists) after reset, notify authorized service of E.C.A.
A15/E15	Measurement deviation fault of temperature sensors	Temperature sensors might be defective.	1- Press reset button. 2- If the error is still present (or persists) after reset, notify authorized service of E.C.A.
A16/E16	Error on Temperature Sensor for Supply Water	No temperature is detected by temperature sensor for supply water.	1- Press reset button. 2- If the error is still present (or persists) after reset, notify authorized service of E.C.A.
A17/E17	Error on Temperature Sensor for Return Sensor	No temperature is detected by temperature sensor for return sensor.	1- Press reset button. 2- If the error is still present (or persists) after reset, notify authorized service of E.C.A.
A18/E18	Temperature Sensor Error	The temperature change on the temperature sensor is too high (> 30°C)	1- Press reset button. 2- If the error is still present (or persists) after reset, notify authorized service of E.C.A.
A21/E21	Analog-Digital Convertor (ADC) Error	Mainboard problem	1- Press reset button. 2- If the error is still present (or persists) after reset, notify authorized service of E.C.A.
A33/E33	Error on Temperature Sensor for Return Sensor	The return water temperature sensor is in short or open circuit state.	1- Press reset button. 2- If the error is still present (or persists) after reset, notify authorized service of E.C.A.
A35/E35	Error on Temperature Sensor for Supply Water Temperature	The outgoing water temperature sensor is in short or open circuit state.	1- Press reset button. 2- If the error is still present (or persists) after reset, notify authorized service of E.C.A.
A80/E80	Temperature difference error between ingoing water temperature and outgoing water temperature sensor	Temperature detected by temperature sensor for ingoing water is higher than temperature detected by temperature sensor for outgoing sensor	1- Press reset button. 2- If the error is still present (or persists) after reset, notify authorized service of E.C.A.

A82/E82	Flame failure (more than 3 flame failures in 4 minutes)	Flame detection problem	1- Press reset button. 2- If the error is still present (or persists) after reset, notify authorized service of E.C.A.
E83	Ignition circuit error	Flame detection problem	1- Press reset button. 2- If the error is still present (or persists) after reset, notify authorized service of E.C.A.
A88/E88	Flame Detection Error	If the flame detection error is repeated more than 3 times in a row without reaching the operating mode, this error is set.	1- Press reset button. 2- If the error is still present (or persists) after reset, notify authorized service of E.C.A.
A89/E89	Flame Detection Error	Even if it reaches the operating mode, if the flame detection error is repeated more than 3 times within 24 hours, it will switch to this error.	1- Press reset button. 2- If the error is still present (or persists) after reset, notify authorized service of E.C.A.
C07/F07	Over Temperature Error for Flue Gas	It occurs when the temperature of the flue gas exceeds 95°C.	Notify authorized service of E.C.A.
C08/F08	Ionization component error	Problem on ionization circuit components	1- Press reset button. 2- If the error is still present (or persists) after reset, notify authorized service of E.C.A.
C13/F13	Repeated Reset Failure	Pressing of Reset button more than 5 times in an hour	Notify authorized service of E.C.A.
C22/F22	Gas valve circuit error	Problem on gas valve circuit components	1- Press reset button. 2- If the error is still present (or persists) after reset, notify authorized service of E.C.A.
C37/F37	Low Water Pressure Fault	It occurs when water pressure sensor detects a relatively low water pressure (0.4 bar) for your device.	1- Check water pressure in heater installation of your device. 2- Fill the system with water until the pressure reaches 1.5-2 bar (device will eliminate error when the pressure is over 0,8 bar). 3- Check your valves and installation against leaks. 4- If the problem is still present (or persists), notify authorized service of E.C.A.
C39/F39	Outer Air Sensor Fault	Outer air sensor might be defective.	1- Press reset button. 2- If the error is still present (or persists) after reset, notify authorized service of E.C.A.
C40/F40	High Water Pressure Fault	It occurs when water pressure sensor detects a relatively high water pressure (3,3 ±0,3 bar) for your device.	1- Check water pressure in heater installation of your device. 2- Turn off the device and restart it. 3- If the error is still present (or persists) after reset, notify authorized service of E.C.A.
C41/F41	Filling Error	Autofill Problem	1- Press reset button. 2- If the error is still present (or persists) after reset, notify authorized service of E.C.A.
C42/F42	Filling could not be completed error	The problem of filling not being completed within the expected time	1- Press reset button. 2- If the error is still present (or persists) after reset, notify authorized service of E.C.A.
C43/F43	Low Pressure Error (In Case of Filling Lockout)	Low pressure repeat problem	1- Press reset button. 2- If the error is still present (or persists) after reset, notify authorized service of E.C.A.
C47/F47	Water Pressure Sensor Error	Water pressure sensor is not plugged in or there is no contact.	1- Press reset button. 2- If the error is still present (or persists) after reset, notify authorized service of E.C.A.
C50/F50	Boiler Sensor Fault	Boiler sensor might be defective.	1- Press reset button. 2- If the error is still present (or persists) after reset, notify authorized service of E.C.A.
C51/F51	PT1000 Solar Sensor Error	PT1000 solar sensor might be defective.	1- Press reset button. 2- If the error is still present (or persists) after reset, notify authorized service of E.C.A.
C52/F52	Error on temperature sensor for domestic water	Temperature sensor for domestic water might be defective.	Notify authorized service of E.C.A.
C53/F53	Error on temperature sensor for flue gas	The flue gas temperature sensor is in short or open circuit state.	Notify authorized service of E.C.A.
C81/F81	Temperature sensor deviation test delay	Temperature sensors might be defective.	Notify authorized service of E.C.A.

Table 4

13. USEFULL INFORMATION ON PRODUCT

13.1. Information on the Efficient Use of the Combi Boiler in Terms of Safety and Energy Consumption

Isolation of your building is extremely important. Energy saving is achieved to a considerable degree since the heat loss is lowest in houses with double-glazed windows and insulated walls.

- The use of thermostatic valves in your radiators ensures that the room temperature is constant or allows you to save money.
- Turning radiator valves lower levels in the rooms which will not be used for a long time and keeping the doors closed keeps fuel consumption low.
- If you use the program clock with your device, the combi boiler operates at the times you set and consumes less fuel.
- Covering the radiator top and sides with furniture-like things negatively affects hot air circulation, thus preventing the environment from overheating and increasing fuel consumption.
- If you will leave your device in operation late at night, keeping water temperature of the heating circuit at low levels will ensure saving.
- If you feel that the room temperature is high, the radiator valves should be closed instead of opening windows.

13.2. Clogging in Installation

- In old installations with iron pipes, usually clogging occurs short time after the device is commissioned.
- If clogging in installation is encountered with, then inhibitor (Sentinel X400, etc.) should be added to installation water.

13.3. Cleaning of Boiler

Keep the outer casing of the combi boiler clean by wiping it with a soft damp cloth. Do not use strong, abrasive cleaning agents.

Performing the maintenance once a year during the warranty period and periodically before the winter season after the warranty expires ensures safe use, saves fuel and extends the useful life of the boiler. Make sure periodic maintenance is strictly performed by E.C.A. Authorized Services. Use original spare parts only to ensure maximum life span and safety of the device.

E.C.A. will not be responsible for damages to device or material or living beings nearby caused by maintenance performed by unauthorized service or staff.

14. ANNEXES

14.1. Characteristic curve of water pressure height of the pump (pump head-flow rate)

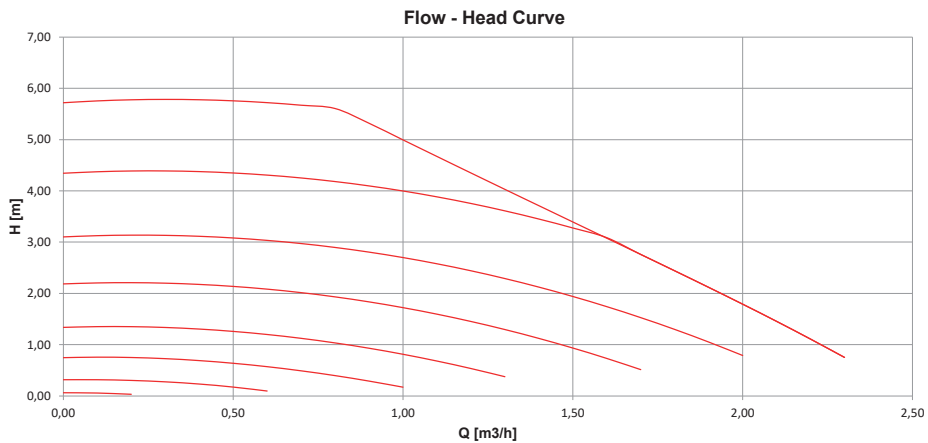


Figure 20

15. INSTALLATION TEMPLATE

15.1. HM Model

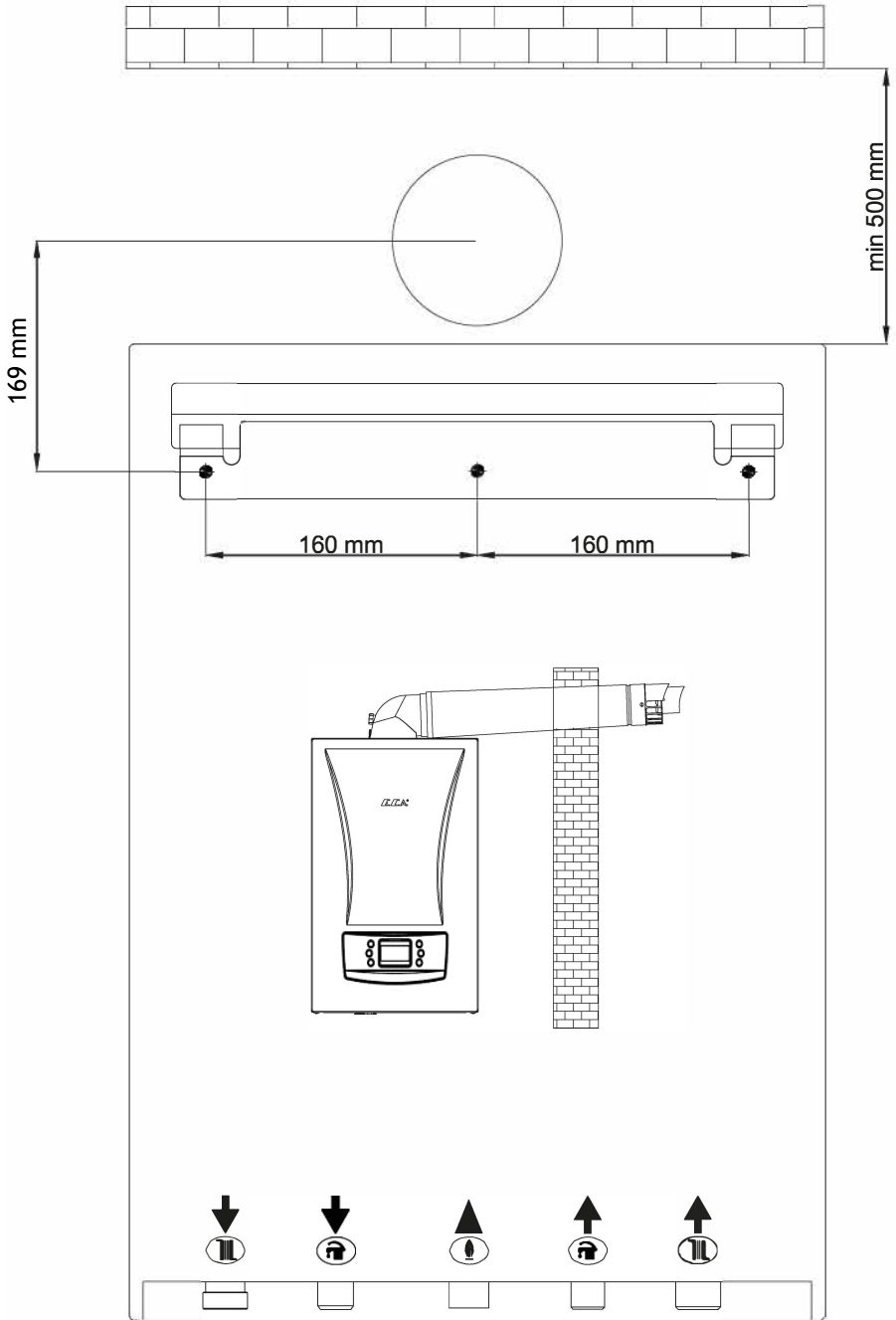


Figure 21

15.2. HCH Model

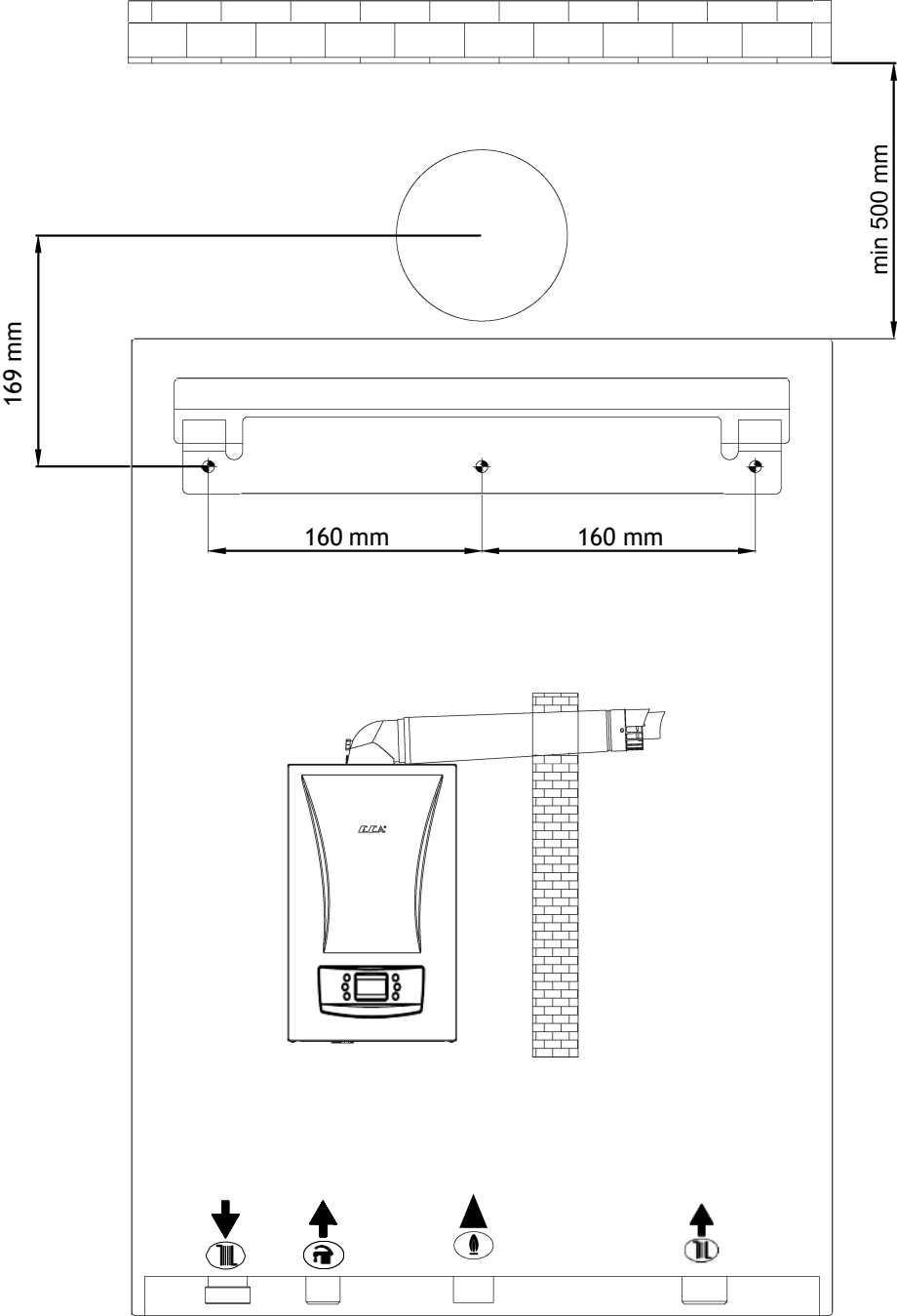


Figure 22

15.3. HST Model

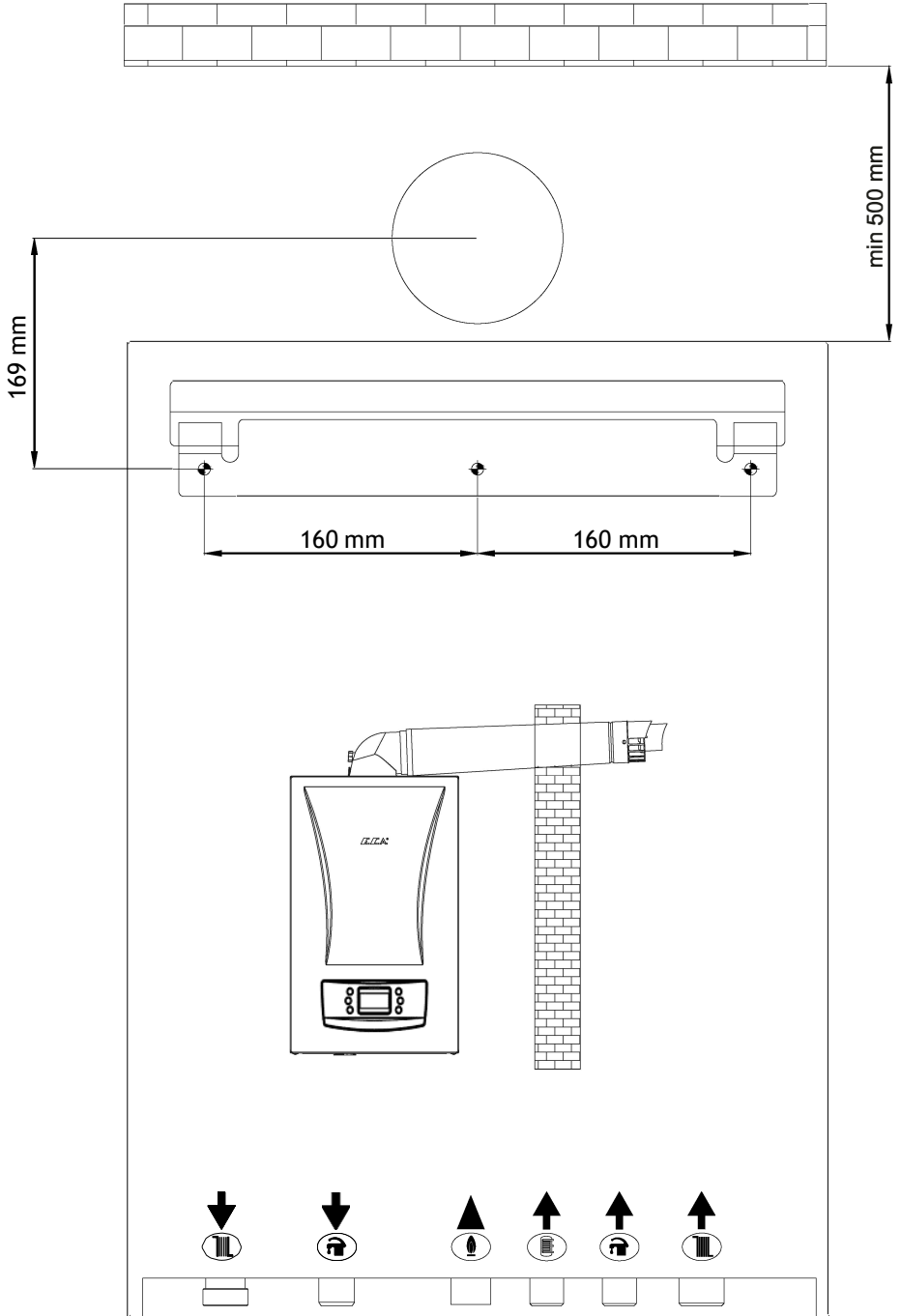


Figure 23

16. ERP GUIDE

16.1. Technical Specifications Table

Product Type	Unit	CITIUS PREMIX 14 HM-HCH-HST	CITIUS PREMIX 20 HM-HCH-HST	CITIUS PREMIX 24 HM-HCH-HST	CITIUS PREMIX 28 HM-HCH-HST
Gas Category		I2H, I2Esi, I2E(S)			
Flue Type		C13(X), C33(X), C43(X), C53(X), C63(X), C83(X), B23, B33			
Gas Input Pressure (Natural Gas-G20)	mbar	20			
Capacity-Efficiency					
Min. Heating Power - (60°C min)	kW	5,6	5,6	5,6	6,4
Max. Heating Power - 80/60°C	kW	14,1	20,2	24,5	28
Min. Heating Power - (30°C min)	kW	6,7	6,7	6,7	7,7
Max. Heating Power - 50/30°C	kW	15	22,2	26	29,6
Min. Heat Input (min)	kW	6,2	6,2	6,2	7,2
Max. Heat Input (max)	kW	14,5	20,7	25,2	28,7
Gas Consumption					
Natural Gas (@Min-Max Capacity)	m ³ /h	0,65-1,53	0,65-2,2	0,65-2,65	0,75-3,02
NOx Class		6	6	6	6
Central Heating					
Min. Water Pressure	bar	0,4	0,4	0,4	0,4
Max. Water Pressure	bar	3	3	3	3
Operation Range (Radiator Heating)	°C	30-80	30-80	30-80	30-80
Operation Range (Underfloor Heating)	°C	30-45	30-45	30-45	30-45
Max. Limit Temperature	°C	> 90	> 90	> 90	> 90
Domestic Hot Water (*f)					
Min. Flow Rate for Operation (*f)	L/min.	2 (±%10)	2 (±%10)	2 (±%10)	2 (±%10)
Min. Flow Rate for Closing (*f)	L/min.	1,5 (±%10)	1,5 (±%10)	1,5 (±%10)	1,5 (±%10)
Max. Flow Rate (*f)	L/min.	10 ±%15 (ΔT = 34,7°C)	10 ±%15 (ΔT = 34,7°C)	10 ±%15 (ΔT = 34,7°C)	12 ±%15 (ΔT = 33,5°C)
Min. Water Pressure (*f)	bar	0,4	0,4	0,4	0,4
Max. Water Pressure (*f)	bar	10	10	10	10
Operation Range (*f)	°C	30-65	30-65	30-65	30-65
Max. Limit Temperature (*f)	°C	≥ 71	≥ 71	≥ 71	≥ 71
General					
Electrical Supply	V AC-Hz	230 VAC-50 Hz			
Electrical Consumption (Max-HE Pump) (*i)	Watt	65	80	85	110
Electrical Consumption (Max-HE Pump) (*h)	Watt	120	120	120	120
Protection Class		IPX4D			
Expansion Vessel	lt	8			
Weight (Net)	kg	28,5			30
Dimensions (HxWxD)	mm	678*410*288			
Flue Lengths					
C13 – 60/100 Max.	m	10	10	10	10
C13 – 80/125 Max.	m	20	20	20	20
C33 – 60/100 Max.	m	10	10	10	10
C33 – 80/125 Max.	m	20	20	20	20
C43 – 60/100 Max.	m	10	10	10	10
C53 – 60/100 Max.	m	10	10	10	10
C83 – 80/80 Max.	m	28	28	28	28
C83 – 80/80 Min.	m	3	3	3	3
B23 – 80 Max.	m	28	28	28	28
B33- 60/100 Max.	m	10	10	10	10
Emission Values					
CO ₂ ratio (@max-G20) (*h)	%	9,0 ± 0,2	9,0 ± 0,2	9,0 ± 0,2	9,0 ± 0,2
CO ₂ ratio (@min-G20) (*h)	%	8,4 ± 0,2	8,4 ± 0,2	8,4 ± 0,2	8,4 ± 0,2
CO ₂ ratio (@max-G20) (*i)	%	9,2 ± 0,2	9,2 ± 0,2	9,3 ± 0,2	9,5 ± 0,2
CO ₂ ratio (@min-G20) (*i)	%	8,7 ± 0,2	8,7 ± 0,2	8,7 ± 0,2	8,9 ± 0,2
Boiler Circuit (*g)					
Operation Range (*g)	°C	30-65	30-65	30-65	30-65
Max. Limit Temperature (*g)	°C	≤ 85	≤ 85	≤ 85	≤ 85

(*f) valid for HM models

(*g) valid for HST models

(*h) valid for the products with CE certificate whose PIN number is 0085CT0347

(*i) valid for the products with CE certificate whose PIN number is 0085CS0133

Table 5

16.2. CE Marking



The CE mark certifies that the products meet the essential requirements of the applicable regulations in line with the declaration of conformity. The manufacturer can be consulted for a declaration of conformity.

16.3. Product Information Sheet (ErP)

The product data presented below complies with the requirements of EU regulations 811/2013 and 813/2013 to supplement directives 92/42/EU and 92/42/EEC.

CE PIN Number: 0085CT0347

Product Data	Symbol	Unit	Citius Premix 14 HM-HCH-HST	Citius Premix 20 HM-HCH-HST	Citius Premix 24 HM-HCH-HST	Citius Premix 28 HM-HCH-HST
Condensing appliance			Yes	Yes	Yes	Yes
Low-temperature boiler (*b)			No	No	No	No
B1 boiler			No	No	No	No
Cogeneration Space Heater			No	No	No	No
Combination Heater			Yes (for HM models) / No (for HCH and HST models)			
Useful Heat Output						
Rated heat output (*e)	Prated	kW	14	20	24	28
At rated heat output and high temperature regime (*a)	P4	kW	14,1	20,2	24,5	28
At 30% of rated heat output and low temperature regime	P1	kW	6,7	6,7	8,1	9,2
Auxiliary Electricity Consumption						
At full load	elmax	kW	0,025	0,034	0,044	0,051
At part load	elmin	kW	0,016	0,016	0,016	0,016
In Standby mode	PSB	kW	0,002	0,002	0,003	0,003
Space Heating Efficiency						
Seasonal space heating energy efficiency class			A	A	A	A
Seasonal space heating energy efficiency	ηs	%	92	92	92	92
At rated heat output and high temperature regime (*c)	η4	%	87,9	87,9	87,9	87,9
At 30% of rated heat output and low temperature regime (*d)	η1	%	97	97	97	97
For Combination Heaters (*f)						
Temperature application (*f)			Medium	Medium	Medium	Medium
Declared load profile (*f)			XL	XL	XL	XL
Water heating energy efficiency class (*f)			A	A	A	A
Water heating energy efficiency (*f)	ηwh	%	85	85	85	84
Daily fuel consumption (*f)	Qfuel	kWh	22,4	22,4	22,4	22,4
Annual fuel consumption (*f)	AFC	Gj	18	18	18	18
Other Items						
Standby Heat Loss	Pstby	kW	0,065	0,065	0,065	0,065
Ignition Burner Power Consumption	Pign	kW	0	0	0	0
Annual Energy Consumption	QHE	kWh	12267	17574	21315	24360
Daily Electricity Consumption	Qelec	kWh	0,2	0,2	0,2	0,2
Annual Electricity Consumption	AEC average	kWh	44	44	44	44
Sound Power Level	L _{WA}	db(A)	46	46	46	52
Emission of Nitrogen Oxide	NOx	mg/kWh	36	40	44	48
Indication about ability working only during off-peak hours			No	No	No	No
Manufacturer	Emas Makina Sanayi A.Ş.					
Address of the Manufacturer	Mustafa Kemal Bulvarı Organize Sanayi Bölgesi 3.Kısım No: 13 45030 MANISA					

Table 6.1. Versiyon A

(*a) High-temperature regime means 60 °C return temperature at heater inlet and 80 °C feed temperature at heater outlet.

(*b) Low temperature means for condensing boilers 30 °C, for low-temperature boilers 37 °C and for other heaters 50 °C return temperature (at heater inlet).

(*c) High-temperature regime means 60 °C return temperature at heater inlet and 80 °C feed temperature at heater outlet.

(*d) Low temperature means for condensing boilers 30 °C, for low-temperature boilers 37 °C and for other heaters 50 °C return temperature (at heater inlet).

(*e) For heat pump heaters and combined heaters, the rated heat output Prated is the same as the standard load in heating mode Pdesignh. The rated heat output of a Psup auxiliary heating device is the same as the auxiliary heating power sup(TJ).

(*f) valid for HM models.

16.3.1. Product Information Sheet (ErP)

The product data presented below complies with the requirements of EU regulations 811/2013 and 813/2013 to supplement directives 92/42/EU and 92/42/EEC.

CE PIN Number: 0085CS0133

Product Data	Symbol	Unit	Citus Premis 14 HM-HCH-HST	Citus Premis 20 HM-HCH-HST	Citus Premis 24 HM-HCH-HST	Citus Premis 28 HM-HCH-HST
Condensing boiler			Yes	Yes	Yes	Yes
Low-temperature boiler(*b)			No	No	No	No
B1 boiler			No	No	No	No
Cogeneration Space Heater			No	No	No	No
Combination Heater			Yes (for HM models) / No (for HCH and HST models)			
Useful Heat Output						
Rated heat output (*e)	Prated	kW	14	20	24	28
At rated heat output and high temperature regime (*a)	P4	kW	14,1	20,2	24,5	28
At 30% of rated heat output and low temperature regime	P1	kW	6,7	6,7	8,1	9,2
Auxiliary Electricity Consumption						
At full load	elmax	kW	0,02	0,029	0,04	0,051
At part load	elmin	kW	0,012	0,012	0,012	0,012
In Standby mode	PSB	kW	0,004	0,004	0,004	0,004
Space Heating Efficiency						
Seasonal space heating energy efficiency class			A	A	A	A
Seasonal space heating energy efficiency	η_s	%	91,2	91,5	92,2	92,4
At rated heat output and high temperature regime (*c)	η_4	%	87,9	87,9	87,9	87,9
At 30% of rated heat output and low temperature regime (*d)	η_1	%	97	97	97,2	97,4
For Combination Heaters (*f)						
Temperature application (*f)			Medium	Medium	Medium	Medium
Declared load profile (*f)			XL	XL	XL	XL
Water heating energy efficiency class (*f)			A	A	A	A
Water heating energy efficiency (*f)	η_{wh}	%	90,7	90,7	83,6	83,9
Daily fuel consumption (*f)	Q _{fuel}	kWh	23,072	23,072	22,8	22,8
Annual fuel consumption (*f)	AFC	Gj	18	18	18	18
Other Items						
Standby Heat Loss	Pstby	kW	0,065	0,065	0,065	0,065
Ignition Burner Power Consumption	P _{ign}	kW	0	0	0	0
Annual Energy Consumption	Q _{HE}	kWh	12267	17574	21315	24360
Daily Electricity Consumption	Q _{elec}	kWh	0,2	0,2	0,2	0,22
Annual Electricity Consumption	AEC average	kWh	44	44	44	44
Sound Power Level	L _{WA}	db(A)	52	52	52	52
Emission of Nitrogen Oxide	NO _x	mg/kWh	31,18	30,89	53	21,29
Indication about ability working only during off-peak hours			No	No	No	No
Manufacturer	Emas Makina Sanayi A.Ş.					
Address of the Manufacturer	Mustafa Kemal Bulvarı Organize Sanayi Bölgesi 3.Kısım No: 13 45030 MANİSA					

Table 6.2. Versiyon B

(*a) High-temperature regime means 60 °C return temperature at heater inlet and 80 °C feed temperature at heater outlet.

(*b) Low temperature means for condensing boilers 30 °C, for low-temperature boilers 37 °C and for other heaters 50 °C return temperature (at heater inlet).

(*c) High-temperature regime means 60 °C return temperature at heater inlet and 80 °C feed temperature at heater outlet.

(*d) Low temperature means for condensing boilers 30 °C, for low-temperature boilers 37 °C and for other heaters 50 °C return temperature (at heater inlet).

(*e) For heat pump heaters and combined heaters, the rated heat output Prated is the same as the standard load in heating mode Pdesignh. The rated heat output of a P_{sup} auxiliary heating device is the same as the auxiliary heating power sup(T_j).

(*f) valid for HM models.

16.4. Package Fiche For Boilers Indicating The Space Heating Energy Efficiency Of The Package

16.4.1. Package Fiche-Boilers

Seasonal Space Heating Energy Efficiency of Boiler

"I": The value of the seasonal space heating energy efficiency of the preferential space heater, expressed in %.

①

I

%

Temperature Control

(Room Thermostat – Outdoor Sensor)
From fiche of temperature control

Class I = 1% Class II = 2% Class III = 1,5%
Class IV = 2% Class V = 3% Class VI = 4%
Class VII = 3,5% Class VII = 5%

②

+

%

Supplementary boiler

From fiche of boiler

③

(

-

T

)

x 0,1

=

±

)

%

Solar Contribution

From fiche of solar device

Collector size (in m²)

Tank Volume (in m³)

Collector Efficiency (in %)

Tank rating
A*=0,95, A=0,91,
B=0,86, C=0,83,
D - G =0,81

("III" x

+

"IV" x

)

) x 0,9 x (

/

100 x

=

+

)

%

"III" : The value of the mathematical expression : 294/(11.Prated), whereby 'Prated' is related to the preferential space heater.

"IV" : The value of the mathematical expression : 115/(11.Prated), whereby 'Prated' is related to the preferential space heater.

(1) If tank rating is above A, use 0.95

Supplementary Heat Pump

From fiche of heat pump

Seasonal Space Heating Energy Efficiency (in %)

(

-

"I"

)

x

"II"

=

+

)

%

"II" : The factor for weighting the heat output of preferential and supplementary heaters of a package as set out in the following table.

Solar Contribution And Supplementary Heat Pump

Select Smaller Value

0,5 x

④

or 0,5 x

⑤

=

-

⑥

%

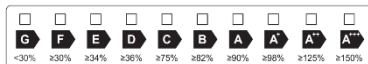
Seasonal Space Heating Energy Efficiency Class Of Package

⑦

-

%

Seasonal space heating energy efficiency class of package



The energy efficiency of the package of products provided for in this fiche may not correspond to its actual energy efficiency once installed in a building, as this efficiency is influenced by further factors such as heat loss in the distribution system and the dimensioning of the products in relation to building size and characteristics.

Water Heating Energy Efficiency Of Combination Heater

Declared load profile : - "1" %

Solar Contribution

From fiche of solar device $(1.1 \times 'I' - 10\%) \times 'II' - 'III'$ - 'I' = %

Auxiliary Electricity

Water Heating Energy Efficiency Of Package Under Average Climate

%

Water Heating Energy Efficiency Class Of Package Under Average Climate

	G	F	E	D	C	B	A	A'	A''	A'''
<input type="checkbox"/> M	<27%	≥27%	≥30%	≥33%	≥36%	≥39%	≥65%	≥100%	≥130%	≥163%
<input type="checkbox"/> L	<27%	≥27%	≥30%	≥34%	≥37%	≥50%	≥75%	≥115%	≥150%	≥188%
<input type="checkbox"/> XL	<27%	≥27%	≥30%	≥35%	≥38%	≥55%	≥80%	≥123%	≥160%	≥200%
<input type="checkbox"/> XXL	<28%	≥28%	≥32%	≥36%	≥40%	≥60%	≥85%	≥131%	≥170%	≥213%

Water Heating Energy Efficiency Under Colder And Warmer Climate Conditions

Cold : - 0,2 x = %

Warm : - 0,2 x = %

The energy efficiency of the package of products provided for in this fiche may not correspond to its actual energy efficiency once installed in a building, as this efficiency is influenced by further factors such as heat loss in the distribution system and the dimensioning of the products in relation to building size and characteristics.

'I' The value of the water heating energy efficiency of the combination heater, expressed in %.

'II' The value of the mathematical expression $(220 \cdot Q_{ref})/Q_{nonsol}$, where Q_{ref} is taken from Regulation EU 811/2013, Annex VII Table 8 and Q_{nonsol} from the product fiche of the solar device for the declared load profile M, L, XL or XXL of the combination heater.

'III' The value of the mathematical expression $(Q_{aux} \cdot 2,5)/(220 \cdot Q_{ref})$, expressed in %, where Q_{aux} is taken from the product fiche of the solar device and Q_{ref} from Regulation EU 811/2013, Annex VII Table 8 for the declared load profile M, L, XL or XXL.

Boiler And Supplementary Heat Pump Installed With Low Temperature Heat Emitters At 35°C

From fiche of heat pump

+ (50 x "II") = %

Weighting of Boilers

Psup / (Prated+Psup) ⁽¹⁾⁽²⁾	II, package without hot water storage tank	II, package with hot water storage tank
0	0	0
0.1	0.3	0.37
0.2	0.55	0.70
0.3	0.75	0.85
0.4	0.85	0.94
0.5	0.95	0.98
0.6	0.98	1
0.7	1	1

(1) The intermediate values are calculated by linear interpolation between in two adjacent values.

(2) Prated is related to the preferential space heater or combination heater.

17. REMOVAL INFORMATION

17.1. Unpacking the New Device



Packaging protects your device against transport damage. All materials used in packaging are environmentally friendly and can be reused. Please help: Dispose of the packaging in a way that will not harm the environment. To obtain information about current troubleshooting methods and methods, please contact your authorized dealer or your municipality.

17.2. Compliance with AEEE Regulation and Disposal of Waste Product



Dispose of the packaging material in accordance with environmental rules. This product is T.R. It does not contain harmful and prohibited substances specified in the "Regulation on the Control of Waste Electrical and Electronic Equipment" published by the Ministry of Environment and Urbanization.

It complies with AEEE regulations.

This product is manufactured from high quality parts and materials that are recyclable and reusable. Therefore, do not dispose of the product with household or other waste at the end of its service life. Take it to a collection point for the recycling of electrical and electronic equipment. Ask your local government about these collection points. Help protect the environment and natural resources by recycling used products. Before disposing of the product, for the safety of children, cut off the power plug and break the lock mechanism, rendering it inoperable.

PRODUCTION
EMAS MAKİNA SANAYİ A.Ş.

Organize Sanayi Bölgesi 3.Kısım Mustafa
Kemal Bulvarı No: 13 45030 MANİSA
Phone : +90 236 213 00 21
Fax : +90 236 213 08 59
Email : emas@emas.com.tr
www.emas.com.tr

