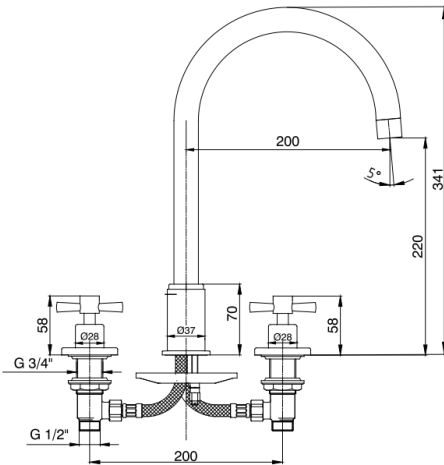


## E.C.A. QUADRILLE CONCEALED BASIN MIXER



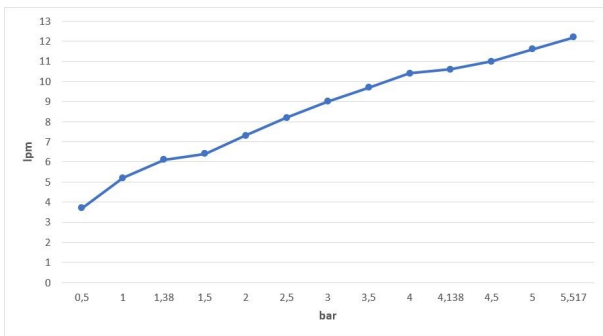
Product Description	
Product Number	102105152EX
Product Name	Concealed Basin Mixer without Waste Set
EAN Barcode	8693261115624

Technical Specification	
Aerator	Neoperl Perlator HC
Cartridge Type	G 1/2" 90° Ceramic Headwork Group
Min. Water Pressure	0,5 bar
Max. Water Pressure	10 bars
Recommended Water Pressure	3 bars
Nominal Flow Rate @3bars	9 l/m
Inlet Water Temperature	5°C - 65°C
Supply Connection	450 mm G 3/8" Flexible Connection Hoses
Finishing	Chrome
Body Material	Brass

Color Options	
102805152EX	Gold Effect

Product Variants	
102105152STEX	Basin Mixer Water Saving 5 l/m
102105153EX	Basin Mixer with Metal Pop-Up Waste Set
102105152xx	xx Localization Product Number

### Flow Rate Chart



January 2021

We reserve the right to alter product specification and colors and to make technical modifications without prior notice.

[www.ECA.com.tr](http://www.ECA.com.tr)